

peily

Kitchen



Keep your kitchen organised while cooking.

Carousels	4-6
Baskets	6-8
Larder units	10
Base units	10-11
Ironing board	11
Cleaning cupboard	12-13
Recycling	14-15
Accessories	15-16
Guide for slides	18

Carousels



1/2 CAROUSEL FULL EXTENSION SOLID BASE - loading capacity 18 kg/tray

Art no	Door	Mounting	Cabinet internal dim.	Product dimension	Colour
5420.00.xx.xx	400	top/bottom	870x410x654-784 mm	842x384x654-784 mm	white, anthracite
5430.00.xx.xx	500	top/bottom	870x470x654-784 mm	842x440x654-784 mm	white, anthracite
5436.00.xx.xx	600	top/bottom	1050x550x654-784 mm	1022x531x654-784 mm	white, anthracite



3/4 CAROUSEL SOLID BASE - loading capacity 18 kg/tray

Art no	Mounting	Cabinet internal dim.	Product dimension	Colour
5490.00.xx.xx	bottom	830x500x480 mm	ø 790x465 mm	white, anthracite
5494.00.xx.xx	top/bottom	830x500x635-718 mm	ø 790x635-718 mm	white, anthracite



4/4 CAROUSEL SOLID BASE - loading capacity 18 kg/tray

Art no	Mounting	Cabinet internal dim.	Product dimension	Colour
5482.00.xx.xx	bottom	830x500x480 mm	ø 790x465 mm	white, anthracite
5483.00.xx.xx	top/bottom	830x500x635-718 mm	ø 790x635-718 mm	white, anthracite



1/2 CAROUSEL COMPACT BASIC - loading capacity 15 kg/tray

Art no	Door	Mounting	Cabinet internal dim.	Product dim.	Colour
5810.00.xx.xx	400	top/bottom	850x430 mm	750x630-710 mm	white, silver, chrome
5820.00.xx.xx	500	top/bottom	950x480 mm	850x630-710 mm	white, silver, chrome
5680.00.xx.xx	600	top/bottom	1120x560 mm	1020x630-710 mm	white, silver, chrome



3/4 CAROUSEL COMPACT BASIC - loading capacity 15 kg/tray

Art no	Mounting	Cabinet internal dim.	Product dim.	Colour
5840.00.xx.xx	top/bottom	780x470 mm	705x630-710 mm	white, silver, chrome
5842.00.xx.xx	bottom	780x470 mm	705x485 mm	white, silver, chrome
5850.00.xx.xx	top/bottom	880x510 mm	820x630-710 mm	white, silver, chrome
5852.00.xx.xx	bottom	880x510 mm	820x485 mm	white, silver, chrome



Carousels/ Baskets

Baskets



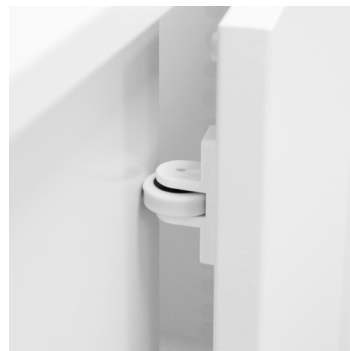
4/4 CAROUSEL COMPACT BASIC - loading capacity 15 kg/tray

Art no	Mounting	Cabinet internal dim.	Product dim.	Colour
5835.00.xx.xx	top/bottom	780x470 mm	750x630-710 mm	white, silver, chrome
5830.00.xx.xx	top/bottom	850x510 mm	820x630-710 mm	white, silver, chrome
5836.00.xx.xx	bottom	780x470 mm	750x485 mm	white, silver, chrome
5831.00.xx.xx	bottom	850x510 mm	820x485 mm	white, silver, chrome



1/2 CAROUSEL COMPACT BASIC - loading capacity 10 kg/tray

Art no	Door	Cabinet internal dim	Product dim.	Colour
5550.00.xx.xx	500 mm	910x490 mm	750x630-710 mm	white, silver, chrome
5551.00.xx.xx	pole including brackets			white, silver,
5552.00.xx.xx	side bracket			white, silver, chrome



PROTECTION FOR CORNER CABINET

Art no	Product dim.	Colour
5804.00.xx.xx	27x24x44 mm	white



BASKET SMART - loading capacity 5 kg

Art no	Product dim.	Colour
6080.00.xx.xx	390x95x95 mm	white, silver, chrome, anthracite



WIRE FRONT/BACK RAIL

Art no	Cabinet	Specification	Product dim.	Colour
5364.00.xx.xx	400	front/back rails	317x105 mm	white, silver, chrome
5365.00.xx.xx	500	front/back rails	417x105 mm	white, silver, chrome
5366.00.xx.xx	600	front/back rails	517x105 mm	white, silver, chrome
5368.00.xx.xx	800	front/back rails	713x105 mm	white, silver, chrome
5351.00.xx.xx	-	side rails	500x127 mm	white, silver, chrome
5352.00.xx.xx	-	side rails incl. bracket	500x127 mm	white, silver, chrome

DUO BASKET - loading capacity sikai 16 kg, grass 25 kg

Art no	Cabinet	Specification	Dimension	Colour
2543.si.xx.xx	400	incl. slide sikai	321x501,5x152 mm	silver, white, chrome, anthracite
2553.si.xx.xx	500	incl. slide sikai	421x501,5x152 mm	silver, white, chrome, anthracite
2563.si.xx.xx	600	incl. slide sikai	521x501,5x152 mm	silver, white, chrome, anthracite
2583.si.xx.xx	800	incl. slide sikai	721x501,5x152 mm	silver, white, chrome, anthracite
2543.gr.xx.xx	400	incl. slide grass	321x501,5x152 mm	silver, white, chrome, anthracite
2553.gr.xx.xx	500	incl. slide grass	421x501,5x152 mm	silver, white, chrome, anthracite
2563.gr.xx.xx	600	incl. slide grass	521x501,5x152 mm	silver, white, chrome, anthracite
2583.gr.xx.xx	800	incl. slide grass	721x501,5x152 mm	silver, white, chrome, anthracite
2543.00.xx.xx	400	excl. slide	321x501,5x152 mm	silver, white, chrome, anthracite
2553.00.xx.xx	500	excl. slide	421x501,5x152 mm	silver, white, chrome, anthracite
2563.00.xx.xx	600	excl. slide	521x501,5x152 mm	silver, white, chrome, anthracite
2583.00.xx.xx	800	excl. slide	721x501,5x152 mm	silver, white, chrome, anthracite



WIRE SURROUND 3 RAILS - loading capacity 16 kg.

Art no	Cabinet	Specification	Dimensions	Colour
5270.00.xx.xx	400	excl. board & runner	313x496x137 mm	silver, white, chrome, anthracite
5271.00.xx.xx	500	excl. board & runner	413x496x137 mm	silver, white, chrome, anthracite
5272.00.xx.xx	600	excl. board & runner	513x496x137 mm	silver, white, chrome, anthracite
5274.00.xx.xx	800	excl. board & runner	613x496x137 mm	silver, white, chrome, anthracite
5170.00.xx.xx	400	incl. board	324x502x146 mm	silver, white, chrome, anthracite
5171.00.xx.xx	500	incl. board	424x502x146 mm	silver, white, chrome, anthracite
5172.00.xx.xx	600	incl. board	524x502x146 mm	silver, white, chrome, anthracite
5174.00.xx.xx	800	incl. board	724x502x146 mm	silver, white, chrome, anthracite
5275.00.xx.xx	400	incl. board & runner	368x502x175 mm	silver, white, chrome, anthracite
5276.00.xx.xx	500	incl. board & runner	468x502x175 mm	silver, white, chrome, anthracite
5277.00.xx.xx	600	incl. board & runner	568x502x175 mm	silver, white, chrome, anthracite
5278.00.xx.xx	800	incl. board & runner	768x502x175 mm	silver, white, chrome, anthracite



WIRE SURROUND 4 RAILS

Art no	Cabinet	Specification	Dimensions	Colour
5280.00.xx.xx	400	excl. board & runner	313x496x164 mm	silver, white, chrome, anthracite
5281.00.xx.xx	500	excl. board & runner	413x496x164 mm	silver, white, chrome, anthracite
5282.00.xx.xx	600	excl. board & runner	513x496x164 mm	silver, white, chrome, anthracite
5284.00.xx.xx	800	excl. board & runner	713x496x164 mm	silver, white, chrome, anthracite



Baskets



PAN RACK - loading capacity 16 kg.

Art no	Cabinet	Cabinet internal dim.	Product dim.	Colour
2244.00.xx.xx	400	360-370x505 mm	330x500x50 mm	silver, white, anthracite
2254.00.xx.xx	500	460-470x505 mm	430x500x50 mm	silver, white, anthracite
2264.00.xx.xx	600	560-570x505 mm	530x500x50 mm	silver, white, anthracite
1332.00.xx.xx	slide		L:500 mm	silver, white, anthracite



KITCHEN BASKET - loading capacity 16 kg.

Art no	Cabinet	Cabinet internal dim.	Product dim.	Colour
2241.00.xx.xx	400	360-370x505 mm	330x500x100 mm	silver, white, anthracite
2251.00.xx.xx	500	460-470x505 mm	430x500x100 mm	silver, white, anthracite
2261.00.xx.xx	600	560-570x505 mm	530x500x100 mm	silver, white, anthracite
1332.00.xx.xx	slide		L:500 mm	silver, white, anthracite



KITCHEN BASKET - loading capacity 16 kg.

Art no	Cabinet	Cabinet internal dim.	Product dim.	Colour
2247.00.xx.xx	400	360-370x505 mm	330x500x100 mm	silver, white, anthracite
2257.00.xx.xx	500	460-470x505 mm	430x500x100 mm	silver, white, anthracite
2267.00.xx.xx	600	560-570x505 mm	530x500x100 mm	silver, white, anthracite
1332.00.xx.xx	slide		L:500 mm	silver, white, anthracite



PAN RACK WITH FRONT FITTING - loading capacity 16 kg. To be used under the kitchen-range.

Art no	Cabinet	Cabinet internal dim.	Product dim.	Colour
2266.00.xx.xx	600	560-570x505 mm	530x500x50 mm	silver, white, anthracite
1332.00.xx.xx	slide		L:500 mm	silver, white, anthracite



PAN RACK - loading capacity 16 kg.

Art no	Cabinet	Cabinet internal dim.	Product dim.	Colour
3335.00.xx.xx	300	260-268x550 mm	237x519x50 mm	silver, white
3345.00.xx.xx	400	360-368x550 mm	337x519x50 mm	silver, white
3355.00.xx.xx	500	460-468x550 mm	437x519x50 mm	silver, white
3365.00.xx.xx	600	560-568x500 mm	537x519x50 mm	silver, white
1092.00.xx.xx	slide cc-flex			grey, white
4472.00.xx.xx	slide metal			silver, white



Larder units/ Base units



LARDER UNIT SOFT CLOSE - loading capacity 120 kg.

Art no	Height	Width	Depth	Colour
0411000.00.xx.xx	1225-1575 mm	250-550 mm	500 mm	white, silver
0421000.00.xx.xx	1585-1935 mm	250-550 mm	500 mm	white, silver
0431000.00.xx.xx	1885-2240 mm	250-550 mm	500 mm	white, silver

LARDER UNIT - SOFT CLOSE TURN - loading capacity 100 kg.

Art no	Height	Width	Depth	Colour
0911000.00.xx.xx	1225-1575 mm	250-550 mm	500 mm	white, silver
0921000.00.xx.xx	1585-1935 mm	250-550 mm	500 mm	white, silver
0931000.00.xx.xx	1885-2240 mm	250-550 mm	500 mm	white, silver

LARDER UNIT - PART EXTENSION - loading capacity 100 kg.

Art no	Height	Width	Depth	Colour
0311000.00.xx.xx	1150-1500 mm	250-550 mm	508 mm	silver
0321000.00.xx.xx	1508-1858 mm	250-550 mm	508 mm	silver
0331000.00.xx.xx	1780-2139 mm	250-550 mm	508 mm	silver



BASKET SOLID BASE FOR LARDER UNIT 3-, 4- or 5-sets - loading capacity 20 kg.

Art no	Cabinet	Dimension basket	Colour
7436.00.xx.xx	300 mm	250x496x110 mm	white/zink, white/chrome
7446.00.xx.xx	400 mm	350x496x110 mm	white/zink, white/chrome
7456.00.xx.xx	500 mm	450x496x110 mm	white/zink, white/chrome
7466.00.xx.xx	600 mm	550x496x110 mm	white/zink, white/chrome



BASKET BASIC FOR LARDER UNIT 3-, 4- or 5-sets - loading capacity 11 kg.

Art no	Cabinet	Dimension basket	Colour
7403.00.xx.xx	300 mm	250x460x110 mm	silver, white, chrome
7404.00.xx.xx	400 mm	350x460x110 mm	silver, white, chrome
7405.00.xx.xx	500 mm	450x460x110 mm	silver, white, chrome
7406.00.xx.xx	600 mm	550x460x110 mm	silver, white, chrome



BASE UNIT PULL OUT - loading capacity 10 kg.

Art no	Specification baskets	Dimension	Colour
7831.00.xx.xx	2x125 mm	166x500x430 mm	silver, chrome, anthracite
7832.00.xx.xx	1x125 mm, 1x225 mm	266x500x430 mm	silver, chrome, anthracite
7834.00.xx.xx	1x125 mm, 1x325 mm	366x500x430 mm	silver, chrome, anthracite
7836.00.xx.xx	3x125 mm	166x500x617 mm	silver, chrome, anthracite

Base units/ Ironing board

BASE UNIT PULL OUT - FULL EXTENSION - loading capacity 15 kg.

Art no	Cabinet	Baskets	Specification	Dimension	Colour
8755.xx.xx.xx	200 mm	3	soft close	617x500x150 mm	silver, chrome, anthracite
8725.xx.xx.xx	300 mm	2	soft close	617x500x260 mm	silver, chrome, anthracite
8728.xx.xx.xx	400 mm	2	soft close	617x500x350 mm	silver, chrome, anthracite
7855.xx.xx.xx	200 mm	3	full extension	617x500x150 mm	silver, chrome, anthracite
7825.xx.xx.xx	300 mm	2	full extension	617x500x260 mm	silver, chrome, anthracite
7828.xx.xx.xx	400 mm	2	full extension	617x500x350 mm	silver, chrome, anthracite



BASE UNIT PULL OUT BASKETS - loading capacity 15 kg.

Art no	Specification	Dimension	Colour
8715.00.xx.xx	2 baskets	105x505x560 mm	silver



BASE UNIT PULL OUT TOWEL HOLDER - loading capacity 15 kg.

Art no	Specification	Dimension	Colour
8716.00.xx.xx	1 basket + 1 towel/ tray storage	105x505x560 mm	silver



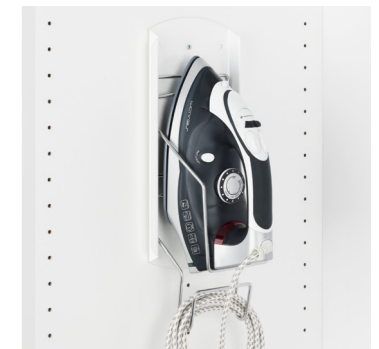
IRONING BOARD - loading capacity 10 kg.

Art no	Drawer	Worktop overlay	Cabinet internal dim.	Colour
5038.00.xx.xx	400-500 mm	0-54 mm	360-468x505x100 mm	white
5040.00.xx.xx	sleeve arm			white



HOLDER FOR IRON

Art no	Assembling	Product dim	Colour
1614.00.xx.xx	side of cabinet or direct on the wall	160x85x345 mm	white/zink, anthracite/zink



Cleaning cupboard



VACCUM CLEANER ACCESSORY RACK - PULL OUT

Art no	Specification	Product dim	Colour
5936.00.xx.xx	soft close	345x510x1195 mm	silver, white, anthracite
5933.00.xx.xx	full extension	345x510x1195 mm	silver, white, anthracite

VACCUM CLEANER ACCESSORY RACK

Art no	Product dimension	Colour
5923.00.xx.xx	340x130x850 mm	silver, white, anthracite



HOSE/TUBE RACK

Art no	Product dimension	Colour
5923.00.xx.xx	295x110x255 mm	silver, white, anthracite



OPTIMUM BROOMHOLDER

Art no	Spec	Dimension	Colour
8710.00.xx.xx	right	107x455x1667 mm	silver, white, chrome, anthracite
8711.00.xx.xx	left	107x455x1667 mm	silver, white, chrome, anthracite

OPTIMUM 5 BASKETS

Art no	Spec	Dimension	Colour
8730.00.xx.xx	right	107x455x1667 mm	silver, white, chrome, anthracite
8731.00.xx.xx	left	107x455x1667 mm	silver, white, chrome, anthracite





RECYCLING SYSTEM FOR DRAWER

Art no	Bins	Spec.	Product dim.	Colour
6960.00.xx.xx	2x12 L incl. lids, 2x7 L	incl. side	514x419x308 mm	white, silver, anthracite
6961.00.xx.xx	2x12 L incl. lids, 2x7 L	excl. side	514x419x308 mm	white, silver, anthracite
6962.00.xx.xx	2x12 L incl. lids, 4x7 L	incl. side	714x419x308 mm	white, silver, anthracite
6963.00.xx.xx	2x12 L incl. lids, 4x7 L	excl. side	714x419x308 mm	white, silver, anthracite



RECYCLING SYSTEM FOR DRAWER

Art no	Bins	Product dim.	Colour
6140.00.xx.xx	2x10 L, 1x21 L, 2 lids	546x368x299 mm	white, silver
6141.00.xx.xx	2x10 L, 1x17L, 1x21L, 2 lids	744x368x299 mm	white, silver



RECYCLING SYSTEM BOTTOM MOUNTED - loading capacity 20 kg

Art no	Bins	Dimension	Colour
6100.00.xx.xx	2x10 L, 1x6 L, 1 lid, 1 holder	250x390x360 mm	white, silver, anthracite
6101.00.xx.xx	2x10 L	250x390x360 mm	white, silver, anthracite
6104.00.xx.xx	2x10 L, 1x6 L, 1 lid, 1 bracket	250x570x390 mm	white, silver, anthracite



RECYCLING SYSTEM SIDE MOUNTED - loading capacity 8 kg

Art no	Bins	Product dim.	Colour
6153.00.xx.xx	2x10 L	280x513x320 mm	white, silver, anthracite
6154.00.xx.11	2x10 L, 1x6 L, 1 lid	280x455x320 mm	white, silver, anthracite
6154.00.xx.52	2x10 L	280x455x320 mm	white, silver, anthracite



RECYCLING SYSTEM FOR BASE UNIT - loading capacity 2 kg

Art no	Bins	Product dim.	Colour
6158.xx.xx.xx	1x10 L, 1 lid, 1 bracket	187x250x430 mm	grey

MIXER LIFT - loading capacity 15 kg

Art no	Cabinet	Specification	Product dim.	Colour
5100.00.xx.xx	400-600	excl. board	80x369x427 mm	silver, white
5104.00.xx.xx	400	incl. board	368x369x427 mm	silver, white
5105.00.xx.xx	500	incl. board	468x369x427 mm	silver, white
5106.00.xx.xx	600	incl. board	568x369x427 mm	silver, white



TOWEL HOLDER - loading capacity 3 kg

Art no	Cabinet	Product dim.	Colour
6506.00.xx.xx	200 -	125x500x35 mm	silver, white, anthracite



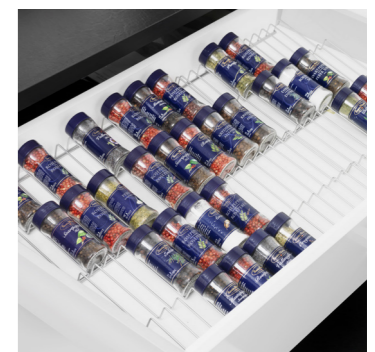
WAVE SPICE RACK - loading capacity 5 kg

Art no	Cabinet	Product dim.	Colour
6619.00.xx.xx	300	260x55x490 mm	silver, white
6620.00.xx.xx	400	360x55x490 mm	silver, white



SPICE RACK FOR DRAWER

Art no	Cabinet	Drawer internal dim.	Product dim.	Colour
6621.00.xx.xx	400	281x463 mm	281x463x33 mm	silver, anthracite
6622.00.xx.xx	500	381x463 mm	381x463x33 mm	silver, anthracite
6623.00.xx.xx	600	481x463 mm	481x463x33 mm	silver, anthracite



PROTECTIVE ALUMINUM SHEET

Art no	Cabinet	Specification	Product dim.	Colour
6212.00.xx.xx	600	16 mm cabinet side	W: 567 mm D: 560 mm	aluminum
6213.00.xx.xx	800	16 mm cabinet side	W: 767 mm D: 560 mm	aluminum



Wine storage




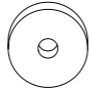
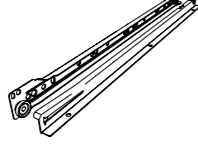
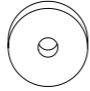

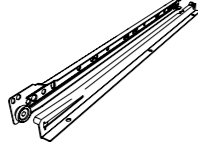
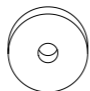
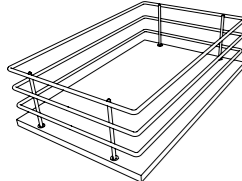
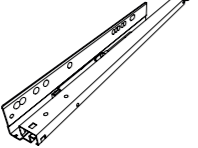
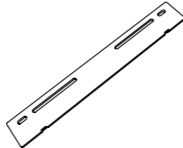
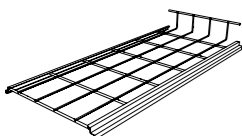
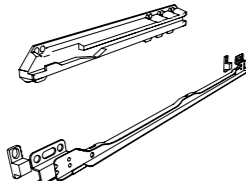
WAVE WINE SHELF - loading capacity 6 kg

Art no	Cabinet	No of bottles to store	Product dim.	Colour
6277.00.xx.xx	150	1	110x220x20 mm	silver, chrome
6283.00.xx.xx	300	3	260x220x20 mm	silver, chrome
6284.00.xx.xx	400	4	360x220x20 mm	silver, chrome
6285.00.xx.xx	500	5	460x220x20 mm	silver, chrome
6297.00.xx.xx	600	6	560x220x20 mm	silver, chrome

Visit
www.pellycomp.com
for complete range



Guide for slides

PRODUCT	ART NO	RUNNER/GUIDE	ART NO	SPACER	SPECIFICATION
	KITCHEN BASKET/ PAN RACK 2241.00.xx.xx 2251.00.xx.xx 2261.00.xx.xx 2244.00.xx.xx 2254.00.xx.xx 2264.00.xx.xx		ROLLER RUNNER 1332.00.xx.xx		Cabinet side 16 mm 12 mm spacer 50.21.00.24.22 Cabinet side 18 mm 8 mm spacer 50.21.00.24.31 Cabinet side 19 mm 6 mm spacer 50.21.00.24.30
	KITCHEN BASKET 2247.00.xx.xx 2257.00.xx.xx 2267.00.xx.xx		ROLLER RUNNER 1332.00.xx.xx		Cabinet side 16 mm 12 mm spacer 50.21.00.24.22 Cabinet side 18 mm 8 mm spacer 50.21.00.24.31 Cabinet side 19 mm 6 mm spacer 50.21.00.24.30
	PAN RACK WITH FRONT FITTING 2266.00.xx.xx		ROLLER RUNNER 1332.00.xx.xx		Cabinet side 16 mm 12 mm spacer 50.21.00.24.22 Cabinet side 18 mm 8 mm spacer 50.21.00.24.31 Cabinet side 19 mm 6 mm spacer 50.21.00.24.30
	WIRE SURROUND 5170.00.xx.xx 5171.00.xx.xx 5172.00.xx.xx 5174.00.xx.xx		SOFT CLOSE RUNNER SLIDE 50.25.00.07.90		Information contained in the mounting instruction 5268.00.xx.xx
	PAN RACK 3335.00.xx.xx 3345.00.xx.xx 3355.00.xx.xx 3365.00.xx.xx		CC-FLEX 1096.00.xxx.xx METAL RAIL 4472.00.xx.xx		

Info

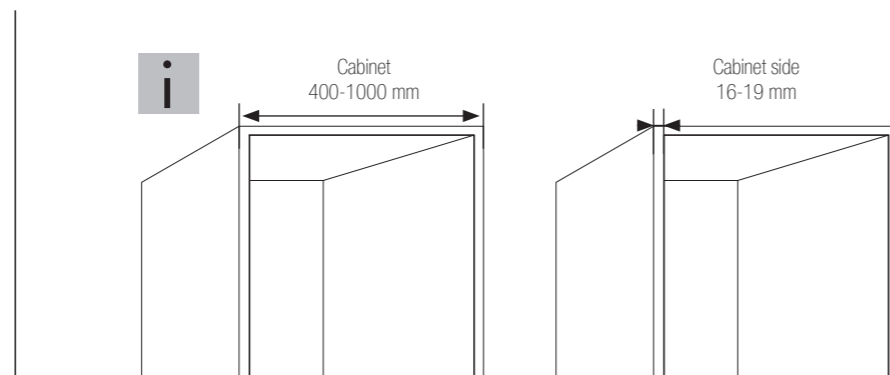
Explanation article number

2845.00.xx.xx

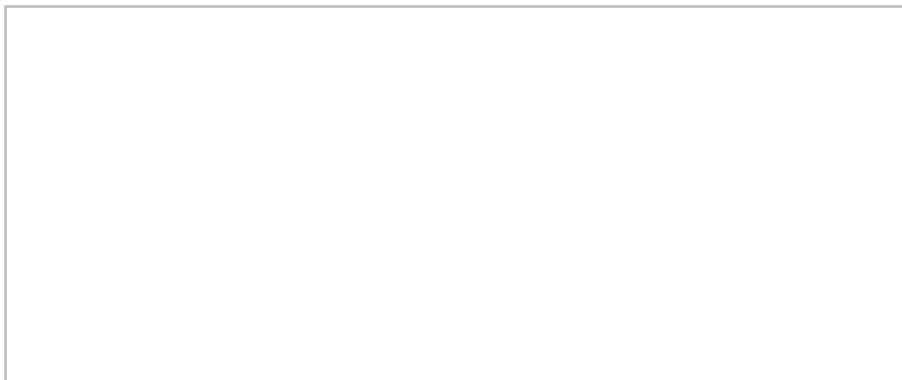
2845 00 xx xx
Art No Internal code Colour code Packing code

Colour code

12 white (RAL 9003)
80 silver (RAL 9006)
81 anthracite
86 chrome



Visit
www.pellycomp.com
for complete range



Pelly Components AB
Box 70
335 04 Hillerstorp, Sweden

Phone: +46 370 37 35 00
Fax: +46 370 227 08
www.pellycomp.com