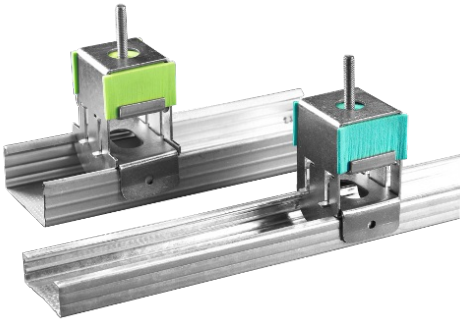


Akustik + Sylomer®

AKUSTIK SUPER + SYLOMER®



These acoustic hangers have been conceived for suspension from suspended ceilings, vibrating pipelines and machinery that has to be suspended. The excellent properties of the Sylomer® microcellular polyurethane achieve elevated isolation values as opposed to other mounts using rubber or cork, or a combination of both.

TECHNICAL CHARACTERISTICS

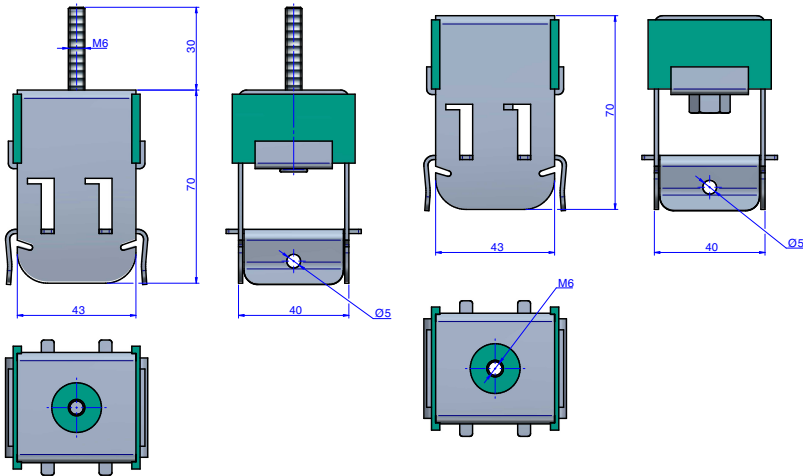
These antivibration mounts are manufactured in two special mixes of Sylomer® to adapt better to the load of each application. A great variety of fixing metal armors and elements facilitate installation and adapt better to each type of job. Their rugged metal parts withstand tensile stresses from 650 kg to 1000 kg. They are supplied with an anticorrosive treatment that can withstand the toughest environments.



Akustik + Sylomer®

AKUSTIK SUPER + SYLOMER®

DRAWINGS



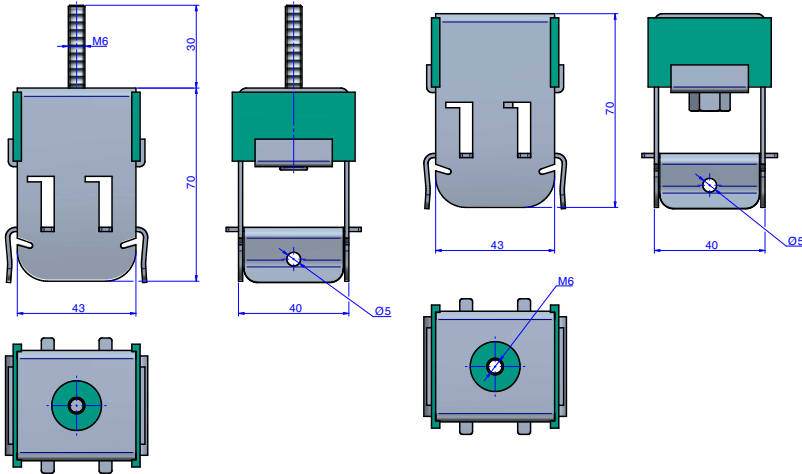
DIMENSIONS

	Type	SUMMARY	LOAD Kg. MAX	Weight (kg.)	Code
	Akustik Super T47 + Sylomer®30 Type A	Metal armor of the Akustik Super secured to the ceiling by an M6 screw.	30	0,17	23821
	Akustik Super T47 + Sylomer®30 Type B	Metal armor of the Akustik Super secured to the ceiling by an M6 screw.	30	0,166	23822



Akustik + Sylomer®

AKUSTIK SUPER + SYLOMER®

DRAWINGS



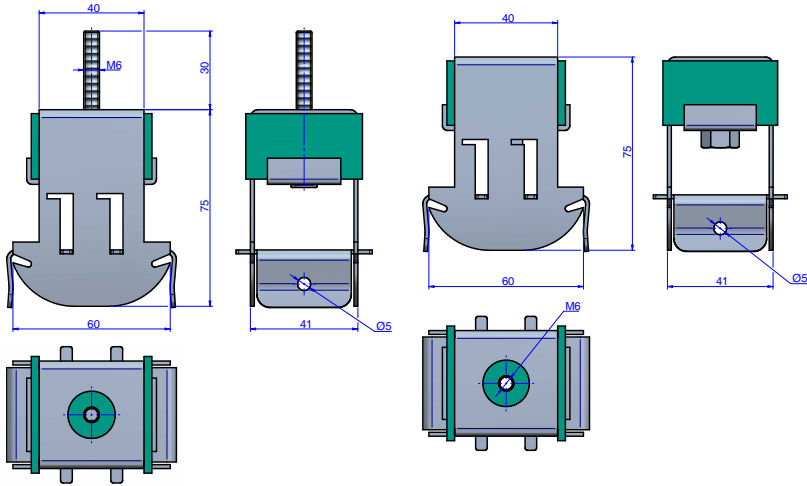
DIMENSIONS

	Type	SUMMARY	LOAD Kg MAX	Weight (kg.)	Code
	Akustik Super T47 + Sylomer®75 Type A	Metal armor of the Akustik Super secured to the ceiling by an M6 screw.	75	0,18	23841
	Akustik Super T47 + Sylomer®75 Type B	Metal armor of the Akustik Super secured Metal armor of the Akustik Super secured to the ceiling by an M6 screw.	75	0,175	23842


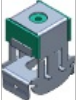
Akustik + Sylomer®

AKUSTIK SUPER + SYLOMER®

DRAWINGS



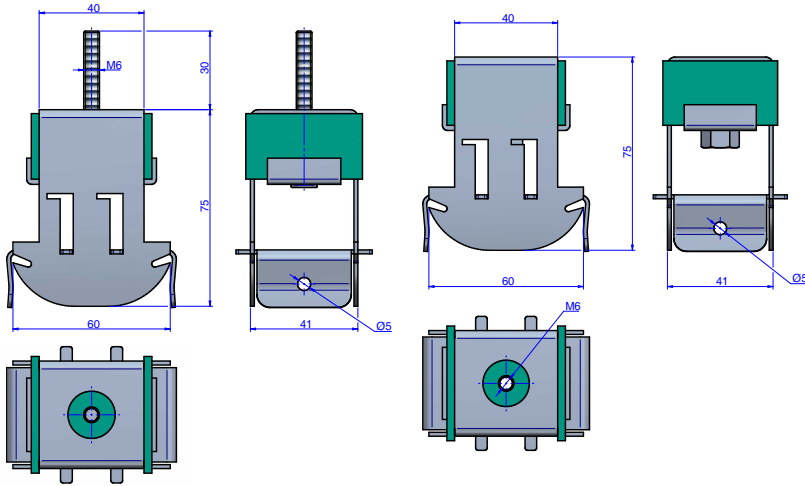
DIMENSIONS

	Type	SUMMARY	LOAD Kg. MAX	Weight (kg.)	Code
	Akustik Super T60 + Sylomer®30 Type A	Metal armor of the Akustik Super secured to the ceiling by an M6 screw.	30	0,189	23831
	Akustik Super T60 + Sylomer®30 Type B	Metal armor of the Akustik Super secured to the ceiling by an M6 screw.	30	0,184	23832


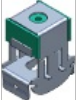
Akustik + Sylomer®

AKUSTIK SUPER + SYLOMER®

DRAWINGS



DIMENSIONS

	Type	SUMMARY	LOAD Kg. MAX	Weight (kg.)	Code
	Akustik Super T60 + Sylomer®75 Type A	Metal armor of the Akustik Super secured to the ceiling by an M6 screw.	75	0,198	23851
	Akustik Super T60 + Sylomer®75 Type B	Metal armor of the Akustik Super secured to the ceiling by an M6 screw.	75	0,194	23852