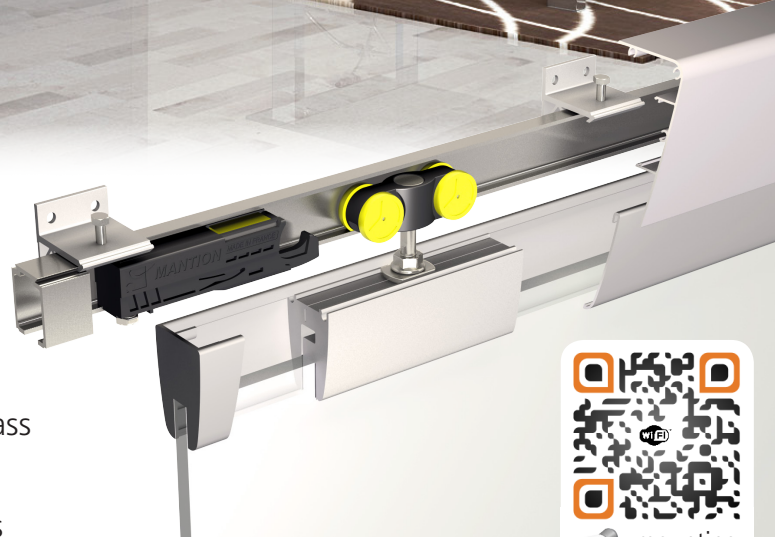


SAFGLASS® Sliding Systems for glass doors



SLIDING SYSTEMS FOR GLASS DOORS:

- For 8 -10 -12 -15 mm doors
- For doors up to 120 kg
- Thanks to the clamp, there is no need to drill the glass in any way.
- The SAFSTOP door stopper (hydraulic system) allows doors to close softly (doors up to 80 kg max.)
- The clamp can be mounted with or without pelmet (no drilling on visible side)



mounting
video

All our ranges can be found at:

www.mantion.com

www.glassdoormantion.com

MANTION S.A.S

7, rue Gay Lussac - ZI de Trépillot
F-25000 Besançon
FRANCE

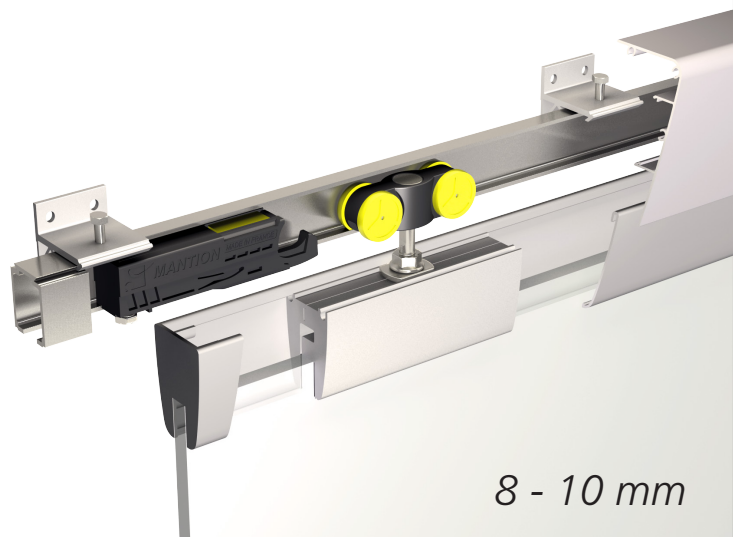


Phone +33 3 81 85 38 73/74

Fax +33 3 81 53 29 76

E-mail : export@mantion.com

www.mantion.com



Straight sliding system for
glass door

SAFGLASS PINCE 80®



CAPACITY/DOOR	80 KG
PANEL THICKNESS	8 - 10 MM
TRACK	ALUMINIUM
TRAVEL	STRAIGHT

8 - 10 mm

TRACKS & PELMETS

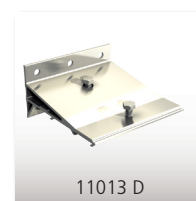
Item no.	Description	
11108/...	Anodised aluminium track, 33 x 27 mm cross-section drilled every 0.44 m, in lengths of 2 / 3 / 4 or 6 m.	6
11013	Angled (sliding) bracket for wall mounting of track.	
11013 D	Dual (sliding) bracket for wall mounting of 2 tracks 11108/... (distance between centres of axes = 47 mm).	
11011/...	Snap-on anodised aluminium pelmet*. To be used for ceiling mounting. Height = 63 mm – Length = 2 / 4 or 6 m.	6
11041/...	Snap-on anodised aluminium pelmet*. To be used for wall mounting. Height = 86 mm – Length = 2 / 3 / 4 or 6 m.	6
11045	Set of painted aluminium end pieces for 11041/... pelmets*RAL5803	



11108/...



11013



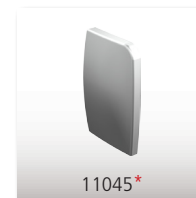
11013 D



11011/...*



11041/...*



11045*

* Pelmets and end pieces are available in raw aluminium (to be painted) or painted on request in your choice of RAL colour

GEAR FOR SAFGLASS PINCE 80

GA4201	Gear for one 8 mm door including: - 2 rollers with precision bearings + installation template - 2 anodised aluminium clamps - 2 hydraulic door closer end stops - 1 grey nylon lower guide - 1 spirit level for the track adjustment (Buly®) - 2 cleaning wipes for the degreasing of the glass before clamp fitting - Installation instructions	
GA4202	Ditto for 1 door 10 mm thick	

8 mm door 10 mm door Aluminium clamp coverings (pelmets + end pieces)

CLAMP COVERING* (only covers clamp)

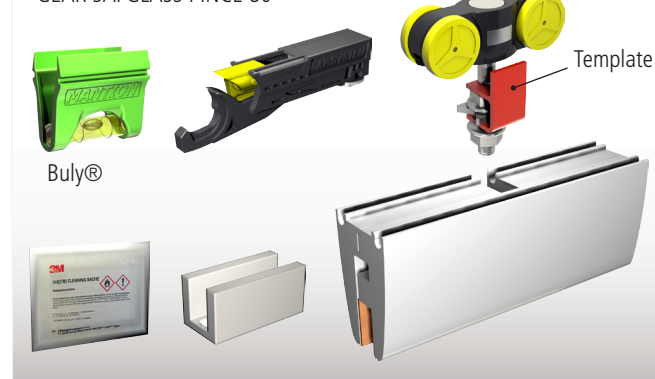
GA4020	GA4320	The kit includes 4 clamp pelmets and 4 end pieces Length of clamp pelmets = 169 mm
--------	--------	---

LONG CLAMP COVERING (covers entire width of door)

GA4021	GA4321	The kit includes 2 clamp pelmets and 2 end pieces Length of pelmets = 631 mm (635 mm door)
GA4022	GA4322	Ditto with pelmet length = 651 mm (655 mm door)
GA4023	GA4323	Ditto with pelmet length = 681 mm (685 mm door)
GA4024	GA4324	Ditto with pelmet length = 731 mm (735 mm door)
GA4025	GA4325	Ditto with pelmet length = 751 mm (755 mm door)
GA4026	GA4326	Ditto with pelmet length = 781 mm (785 mm door)
GA4027	GA4327	Ditto with pelmet length = 831 mm (835 mm door)
GA4028	GA4328	Ditto with pelmet length = 851 mm (855 mm door)
GA4029	GA4329	Ditto with pelmet length = 881 mm (885 mm door)
GA4030	GA4330	Ditto with pelmet length = 931 mm (935 mm door)
GA4031	GA4331	Ditto with pelmet length = 951 mm (955 mm door)
GA4032	GA4332	Ditto with pelmet length = 981 mm (985 mm door)
GA4033	GA4333	Ditto with pelmet length = 1031 mm (1035 mm door)
GA4034	GA4334	Ditto with pelmet length = 1051 mm (1055 mm door)
GA4035	GA4335	Ditto with pelmet length = 1500 mm (cut to length)

* Coverings are made of anodised aluminium. They are available in raw aluminium (to be painted) or painted on request in your choice of RAL colour

GEAR SAFGLASS PINCE 80



Note: Clamp pelmets are optional

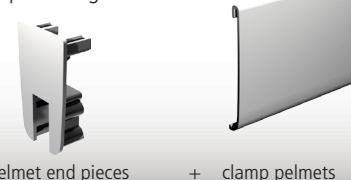


Long clamp covering



Clamp covering

Clamp covering:

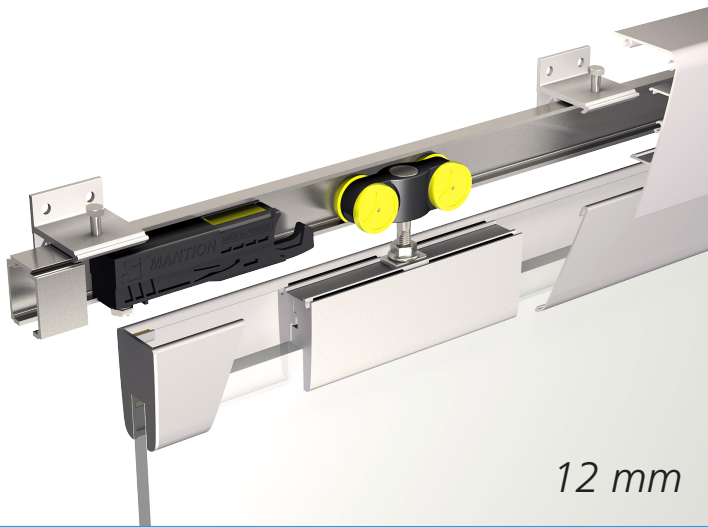


pelmet end pieces

+ clamp pelmets

Straight sliding system for
glass door**SAFGLASS PINCE 80®**

CAPACITY/DOOR	80 KG
PANEL THICKNESS	12 MM
TRACK	ALUMINIUM
TRAVEL	STRAIGHT



12 mm

TRACKS & PELMETS

Item no.	Description	
11108/...	Anodised aluminium track, 33 x 27 mm cross-section drilled every 0.44 m, in lengths of 2 / 3 / 4 or 6 m.	6
11013	Angled (sliding) bracket for wall mounting of track.	
11013 D	Dual (sliding) bracket for wall mounting of 2 tracks 11108/... (distance between centres of axes = 47 mm).	
11011/...	Snap-on anodised aluminium pelmet*. To be used for ceiling mounting. Height = 63 mm – Length = 2 / 3 or 6 m.	6
11041/...	Snap-on anodised aluminium pelmet*. To be used for wall mounting. Height = 86 mm – Length = 2 / 3 / 4 or 6 m.	6
11045	Set of painted aluminium end pieces for 11041/... pelmets*RAL5803	



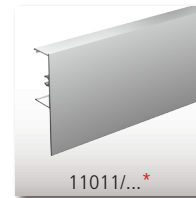
11108/...



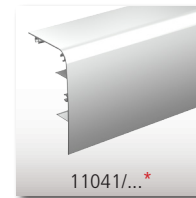
11013



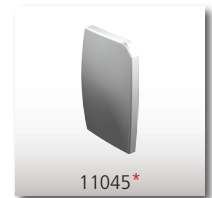
11013 D



11011/...*



11041/...*



11045*

* Pelmets and end pieces are available in raw aluminium (to be painted) or painted on request in your choice of RAL colour

GEAR FOR SAFGLASS PINCE 80

GA4203	Gear for one 12 mm door including: - 2 rollers with precision bearings + installation template - 2 anodised aluminium clamps - 2 hydraulic door closer end stops - 1 grey nylon lower guide - 1 spirit level for the track adjustment (buly®) - 2 cleaning wipes for the degreasing of the glass before clamp fitting - Installation instructions
--------	--

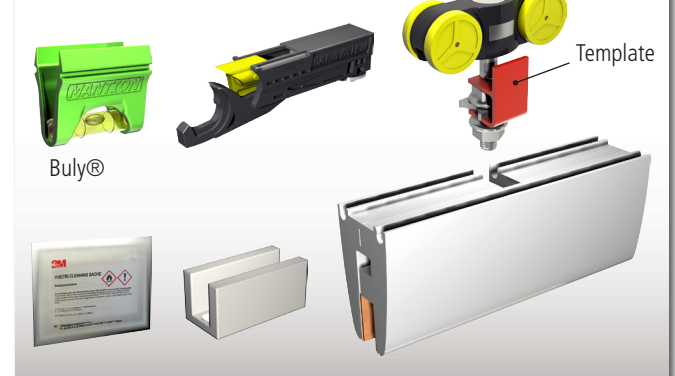
CLAMP COVERING* (only covers clamp)

GA4120	Aluminium covering for 12 mm clamp consisting of 4 clamp pelmets and 4 end pieces Length of clamp pelmets = 194 mm
--------	---

LONG CLAMP COVERING (covers entire width of door)

GA4121	Aluminium covering for 12 mm clamp consisting of 2 clamp pelmets and 2 end pieces Length of clamp pelmets = 1.5 m (cut to length)
GA4123	Aluminium covering for 12 mm clamp consisting of 2 clamp pelmets and 2 end pieces Length of clamp pelmets = 3 m (cut to length)

* Coverings are made of anodised aluminium. They are available in raw aluminium (to be painted) or painted on request in your choice of RAL colour

GEAR SAFGLASS PINCE 80

Note: Clamp pelmets are optional

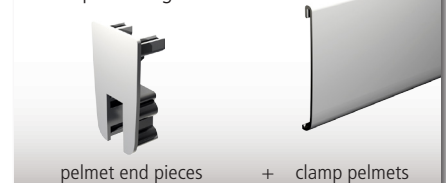


Long clamp covering



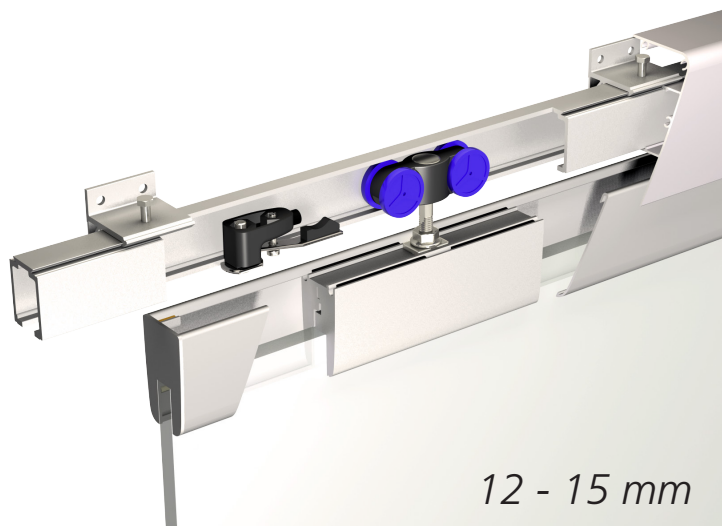
Clamp covering

Clamp covering:



pelmet end pieces

+ clamp pelmets



12 - 15 mm

Straight sliding system for
glass door

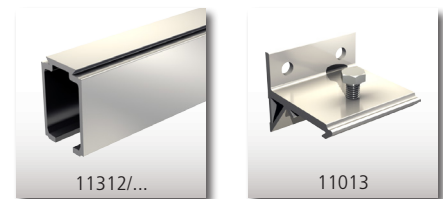
SAFGLASS PINCE 120®



CAPACITY/DOOR	120 KG
PANEL THICKNESS	12 - 15 MM
TRACK	ALUMINIUM
TRAVEL	STRAIGHT

TRACKS & PELMETS

Item no.	Description	
11312/...	Anodised aluminium track, 37.4 x 28 mm cross-section drilled every 0.3 m, in lengths of 2 / 3 or 6 m	6
11013	Angled (sliding) bracket for wall mounting of track.	
11031/...	Snap-on anodised aluminium pelmet*. To be used for ceiling mounting. Height = 67 mm – Length = 2 or 3 m	6
11041/...	Snap-on anodised aluminium pelmet*. To be used for wall mounting. Height = 86 mm – Length = 2 / 3 / 4 or 6 m.	6
11045	Set of painted aluminium end pieces for 11041/... pelmets*RAL5803	

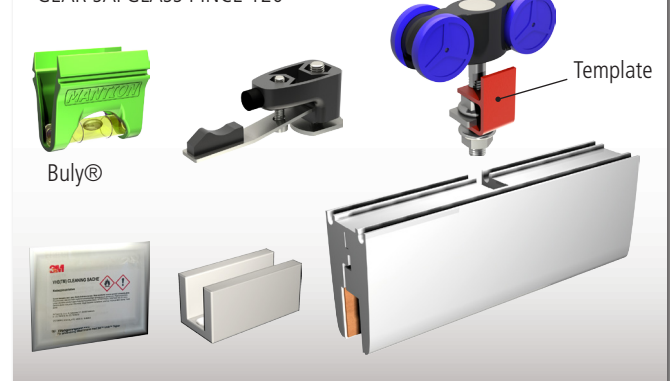


* Pelmets and end pieces are available in raw aluminium (to be painted) or painted on request in your choice of RAL colour

GEAR FOR SAFGLASS PINCE 120

GA4204	Gear for one 12 mm door including: - 2 rollers with precision bearings + installation template (STAINLESS screws, bolts and bearings) - 2 anodised aluminium clamps - 2 claw stops - 1 grey nylon lower guide - 1 spirit level for the track adjustment (Buly®) - 2 cleaning wipes for the degreasing of the glass before clamp fitting - Installation instructions
GA4205	Ditto for 1 door 15 mm thick (without lower guide)

GEAR SAFGLASS PINCE 120



Note: Clamp pelmets are not mandatory

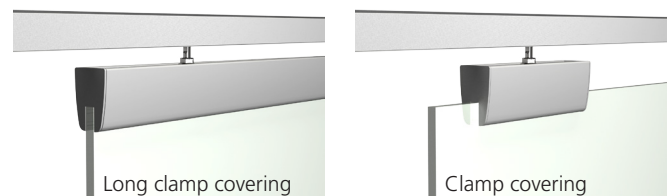
CLAMP COVERING* (only covers clamp)

GA4120	Aluminium covering for 12 mm clamp consisting of 4 clamp pelmets and 4 end pieces Length of clamp pelmets = 194 mm
GA4420	Aluminium covering for 15 mm clamp consisting of 4 clamp pelmets and 4 end pieces Length of clamp pelmets = 194 mm

LONG CLAMP COVERING* (covers entire width of door)

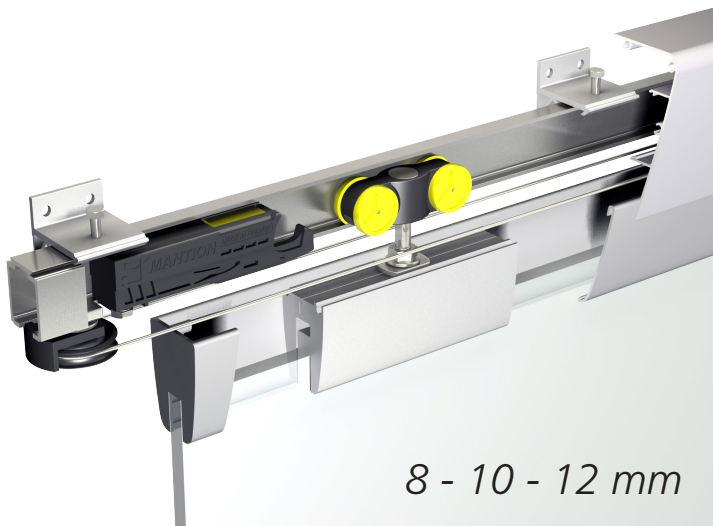
GA4121	Aluminium covering for 12 mm clamp consisting of 2 clamp pelmets and 2 end pieces Length of clamp pelmets = 1.5 m (cut to length)
GA4123	Aluminium covering for 12 mm clamp consisting of 2 clamp pelmets and 2 end pieces Length of clamp pelmets = 3 m (cut to length)
GA4421	Aluminium covering for 15 mm clamp consisting of 2 clamp pelmets and 2 end pieces Length of clamp pelmets = 1.5 m (cut to length)
GA4423	Aluminium covering for 15 mm clamp consisting of 2 clamp pelmets and 2 end pieces Length of clamp pelmets = 3 m (cut to length)

* Coverings are made of anodised aluminium. They are available on request painted in your choice of RAL colour



Clamp covering:





8 - 10 - 12 mm

Synchronised straight sliding system
for double glass door

SAFGLASS SYNCHRO 80

®



CAPACITY/DOOR	80 KG
PANEL THICKNESS	8 - 10 - 12 MM
TRACK	ALUMINIUM
TRAVEL	STRAIGHT

GEAR FOR SAFGLASS PINCE 80 SYNCHRONISED – 8 MM FOR DOUBLE DOOR (2.2 M OPENING MAX.)

W* < 60 KG	60 KG < W* < 100 KG
GA5031	GA5041
Gear for two 8 mm doors including: - 4 rollers with precision bearings - 4 aluminium clamps - 4 end stops - 2 return pulleys - 1 cable 1.5 mm Ø 10 m long - Fasteners on short clamps - 2 lower guides - 1 spirit level for the track adjustment (buly®) - 4 cleaning wipes for the degreasing of the glass before clamp fitting - Tools and installation instructions	

W* = total weight of both glass doors

GEAR FOR SAFGLASS PINCE 80 SYNCHRONISED – 10 MM FOR DOUBLE DOOR (2.2 M OPENING MAX.)

W* < 100 KG	100 KG < W* < 140 KG
GA5042	GA5052
Gear for two 10 mm doors including: - 4 rollers with precision bearings - 4 aluminium clamps - 4 end stops - 2 return pulleys - 1 cable 1.5 mm Ø 10 m long - Fasteners on short clamps - 2 lower guides - 1 spirit level for the track adjustment (buly®) - 4 cleaning wipes for the degreasing of the glass before clamp fitting - Tools and installation instructions	

W* = total weight of both glass doors

GEAR FOR SAFGLASS PINCE 80 SYNCHRONISED – 12 MM FOR DOUBLE DOOR (2.2 M OPENING MAX.)

W* < 100 KG	100 KG < W* < 140 KG	140 KG < W* < 160 KG
GA5043	GA5053	GA5063
Gear for two 12 mm doors including: - 4 rollers with precision bearings - 4 aluminium clamps - 4 end stops - 2 return pulleys - 1 cable 1.5 mm Ø 10 m long - Fasteners on short clamps - 2 lower guides - 1 spirit level for the track adjustment (buly®) - 4 cleaning wipes for the degreasing of the glass before clamp fitting - Tools and installation instructions		

W* = total weight of both glass doors



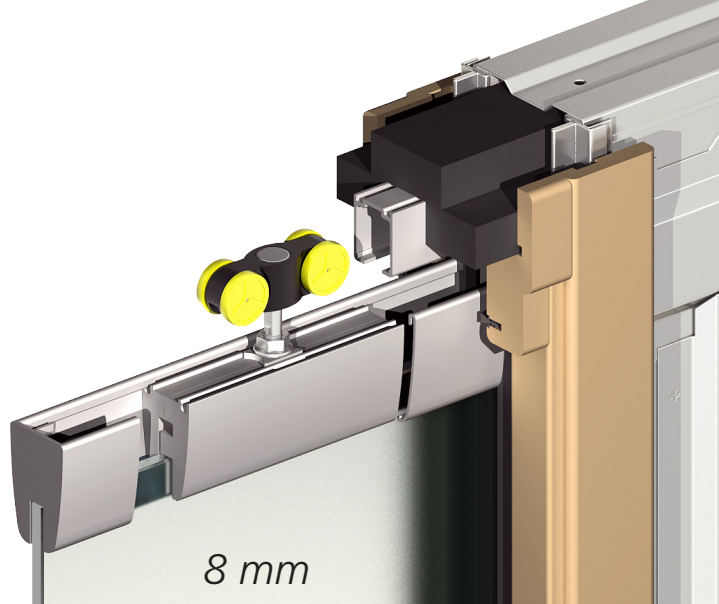
The choice of synchronisation system is based on the thickness of the glass and on the weight of the doors. Several kits are available for the same glass thickness to guarantee the best possible smoothness of use.

GEAR SAFGLASS SYNCHRO 80



* The selection of end stops (hydraulic door stopper and clow stop) varies according to the kit and is based on the glass door total weight





Pocket straight sliding system for glass door

SAFGLASS-INSIDE®



CAPACITY/DOOR	80 KG
PANEL THICKNESS	8 MM
TRACK	ALUMINIUM
TRAVEL	STRAIGHT

SET for single door (8 mm)

Item no.	Opening LO x HO	Free Passage LP Flush pull / bar pull	Space Requirement LT x HT	Finished Wall	Internal Passage	Door* W x H
SAF-INSIDECO70	695 x 2040	695 / 595	1510 x 2140	100	55	735 x 2015
SAF-INSIDECO80	795 x 2040	795 / 695	1710 x 2140	100	55	835 x 2015
SAF-INSIDECO789F	Cladding kit for MDF door frame – suitable for both items above					*th. 8 mm 80 kg max.
SAF-INSIDECO90	895 x 2040	895 / 795	1910 x 2140	100	55	935 x 2015
SAF-INSIDECO100	995 x 2040	995 / 895	2110 x 2140	100	55	1035 x 2015
SAF-INSIDECO9109F	Cladding kit for MDF door frame – suitable for both items above					*th. 8 mm 80 kg max.

KIT contents:

- 1 frame box and galvanised steel structure
- 1 reinforcement on frame side and 1 wooden track holder
- 1 assembled aluminium track
- 2 rollers (with ball bearings) + plates
- 2 end stops (adjustable stop for closing)
- 1 polyamide guide
- Screws and bolts – tool – installation instructions

SET for double door (8 mm)

Item no.	Opening LO x HO	Free Passage LP Flush pull / bar pull	Space Requirement LT x HT	Finished Wall	Internal Passage	Door* W x H
SAF-INSIDECO140	1385 x 2040	1385 / 1185	2915 x 2140	100	55	735 x 2015
SAF-INSIDECO160	1585 x 2040	1585 / 1385	3315 x 2140	100	55	835 x 2015
SAF-INSIDECO469F	Cladding kit for MDF door frame – suitable for both items above					*th. 8 mm 80 kg max.
SAF-INSIDECO180	1785 x 2040	1785 / 1585	3715 x 2140	100	55	935 x 2015
SAF-INSIDECO200	1985 x 2040	1985 / 1785	4115 x 2140	100	55	1035 x 2015
SAF-INSIDECO829F	Cladding kit for MDF door frame – suitable for both items above					*th. 8 mm 80 kg max.

KIT contents:

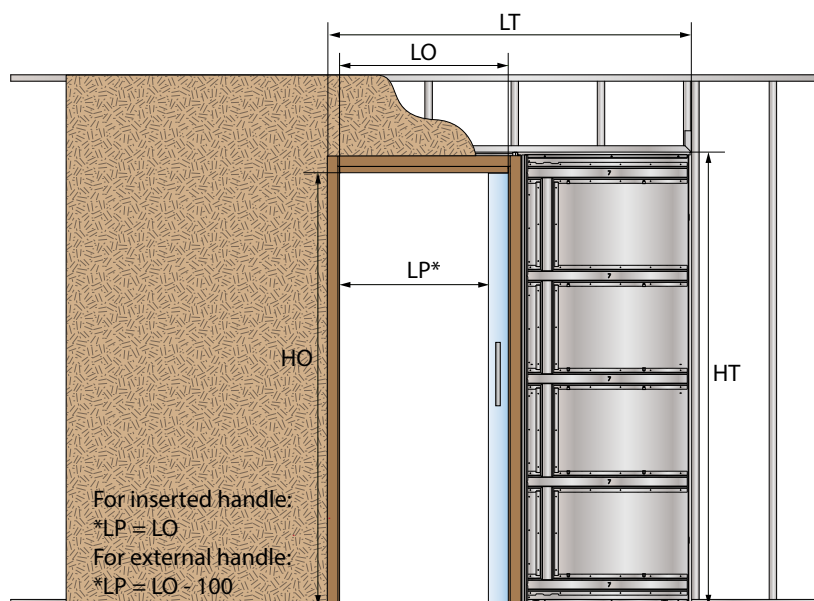
- 2 frame boxes and galvanised steel structure
- 2 wooden track holders
- 2 assembled aluminium tracks with sleeve
- 4 rollers (with ball bearings) + plates
- 4 end stops (adjustable stop for closing)
- 2 polyamide guides
- Screws and bolts – tool – installation instructions

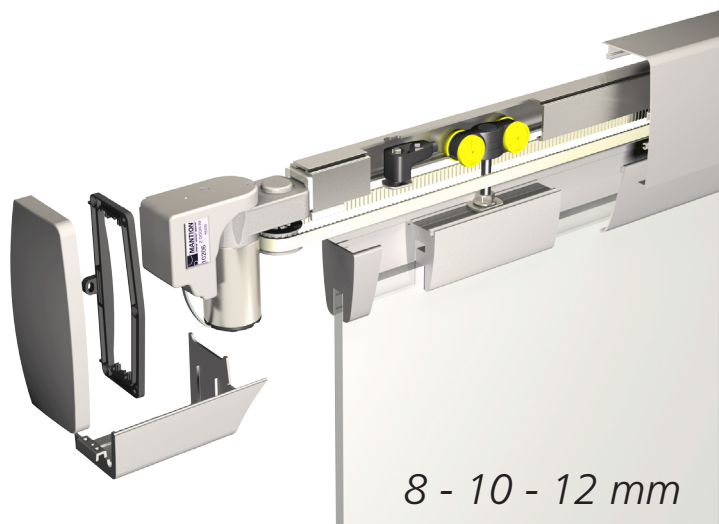
Synchronisation kit available as an option

SYNCHRONISATION KIT FOR DOUBLE DOORS

GA5001	Kit for synchronising 2 8 mm doors (2.20 m opening max.):
	- 2 return pulleys - 1 cable 1.5 mm Ø 10 m long - 2 clamps and 3 mounting brackets - Fixing screw and installation instructions

SAFGLASS INSIDE synchronisation kit






Motorised straight sliding system
for glass door

SAFGLASS POWER®



CAPACITY/DOOR	80 OR 2X50 KG
PANEL THICKNESS	8 - 10 - 12 MM
TRACK	ALUMINIUM
TRAVEL	STRAIGHT


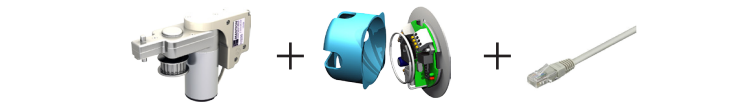
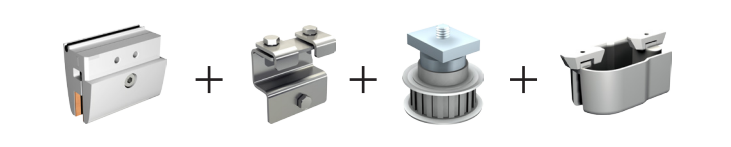

TRACKS & PELMETS

Item no.	Description	
11108/...	Anodised aluminium track, 33 x 27 mm cross-section drilled every 0.44 m, in lengths of 2 / 3 / 4 or 6 m.	6
11013	Angled (sliding) bracket for wall mounting of track.	
11043/...	Snap-on anodised aluminium pelmet*. To be used for wall mounting. Height = 110 mm – Length = 2 / 3 or 4 m.	6
11044 D	Set of painted aluminium end pieces for 11043/... pelmets*RAL5803 (anodised effect). For drive located on right hand side (front view) To be used for wall mounting.	6
11044 G	Ditto for drive located on left hand side (front view)	

* Pelmets and end pieces are available in raw aluminium (to be painted) or painted on request in your choice of RAL colour



SPECIFICATION OF MOTORISED SYSTEM

8 mm	10 mm	12 mm		
GA4208	GA4210	GA4212	SAFGLASS POWER gear for 1 door including: - 2 rollers with precision bearings (long screw) - 2 anodised aluminium clamps + 2 cleaning wipes - 2 end stops + 1 spirit level (buly®) - 1 grey nylon lower guide	
10206			Motor kit comprising: - 1 gear motor 10206 - 1 RJ45 extension cable 2 m - 1 built-in control box (Ø 67)	
GA5011	GA5012	GA5013	Drive kit for 1 door including: - 1 clamp with 1 belt support - 1 pulley and pulley cover	
GA5021	GA5022	GA5023	Drive kit for 2 doors including: - 2 clamps with 2 belt supports - 1 pulley and pulley cover	
10172/...			Reinforced polyurethane drive belt available in lengths of 2.5 / 5 / 7.5 / 10 / 15 / 25 or 50 m.	

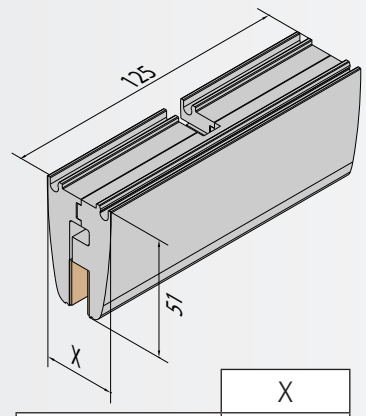
CLAMP COVERING

8 - 10 MM	See page 2
12 MM	See page 3

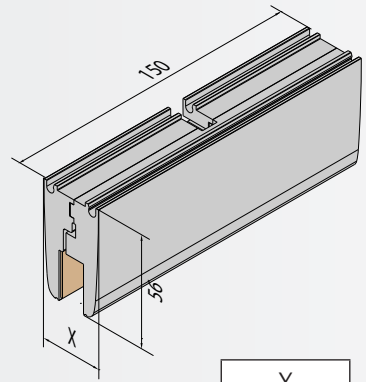
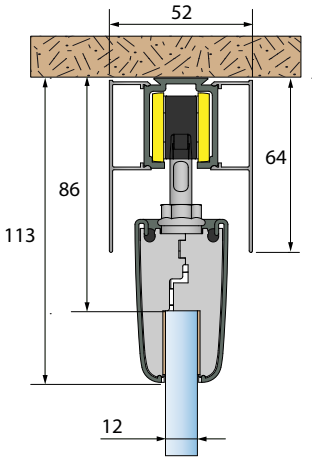
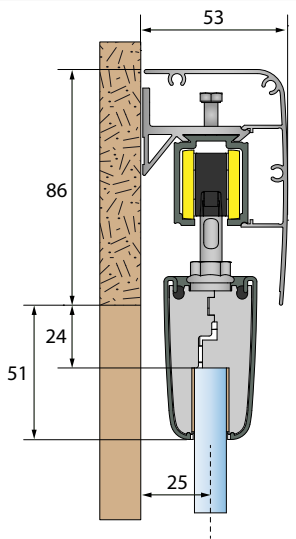
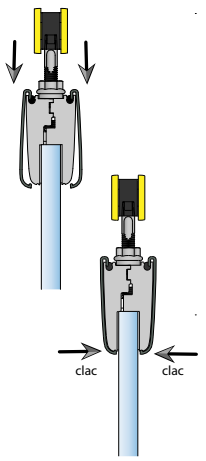
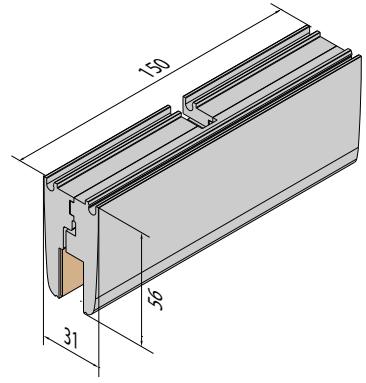
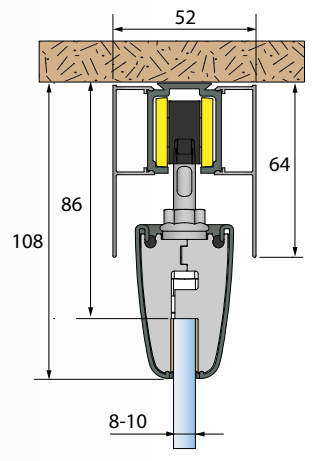
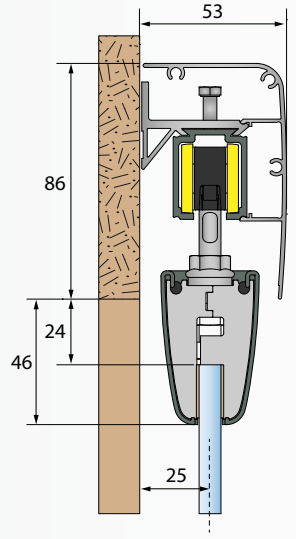
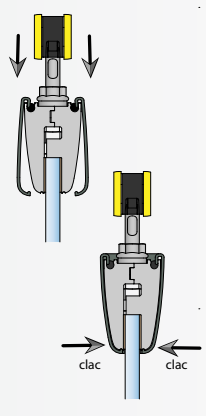
ACCESSORIES for controlling the gear motor

10206 A1	220 V/24 V DC switch mode power supply for gear motor 10206
C0004780	Radio transmitter, ideal for renovation: no cables to lay!
10206 ISC	Contactless switch with 2 range of action positions
10206 DM	Motion sensor radar with adjustment of bidirectional field via potentiometer
10206 DMP	Dual field motion sensor radar, adjustment of microwave field (via button on radar or remote control 10206 DMP)
10206 TER	Remote control for fast commissioning of radar 10206 DMP (complete adjustments possible)

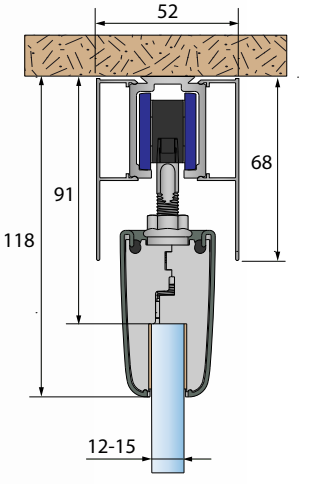
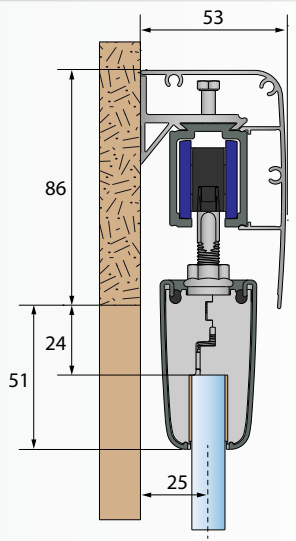
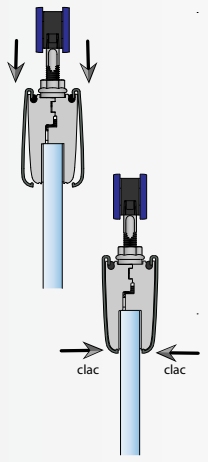




	X
8 mm clamp	32 mm
10 mm clamp	34 mm



	X
12 mm clamp	31 mm
15 mm clamp	34 mm

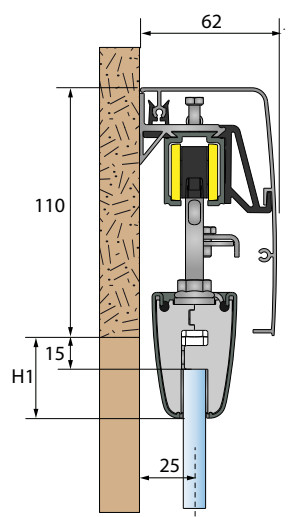


Gear motor
10206



Technical data:

- 24 V DC 2.5 A power supply
- Stops if an obstacle is detected
- Soft starting and stopping
- Self-learning function
- Max. weight per panel:
1 panel: 80 kg – 2 panels: 50 kg
- Wired or remote control (HF 433.92 MHz)
- Operating temperature 5-50 °C
- Interface with home automation system
- Centralised control (supervisor function)
- Time-delayed automatic closing possible
- Electronic locking of door possible



	H1	H2	H3
8 -10 clamp	37	130	36-38
12 clamp	42	135	35

