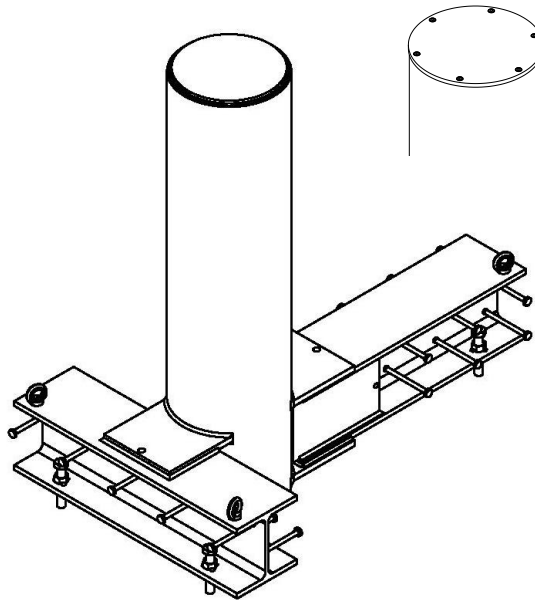

Technical Data Sheet



| | |
|-----------------------------|--|
| Design: | Blocking bollard(s) with base supports for shallow mount installation. Bollard system can be adapted on site for corner applications. |
| Impact Load: | 1699 kJ (6.8 t @ 50 mph) Crash test certified according to ASTM F 2656-07 M50/P1 (triple unit) |
| Blocking Element: | Diameter: 355 mm with welded on steel top plate, optional: screwed on steel top plate, in galvanised finish or coated in colour of blocking element |
| Wall Thickness: | 30 mm |
| Blocking Height: | 1100 mm |
| Foundation Size: | 4500 x 2500 x 400 mm (triple unit) |
| Foundation Top Edge: | 100 mm below finished floor level |
| Weight: | 620 kg |
| Options: | Bollard top lighting, Ufo-shape, red, white or yellow Stainless steel sleeve with screwed on or welded stainless steel top plate |
| Colour (Standard): | RAL 6005 moss green, RAL 7016 anthracite grey, RAL 7030 stone grey, RAL 7035 light grey or RAL 9010 pure white |
| Colour (Optional): | Other RAL colours or DB colours |