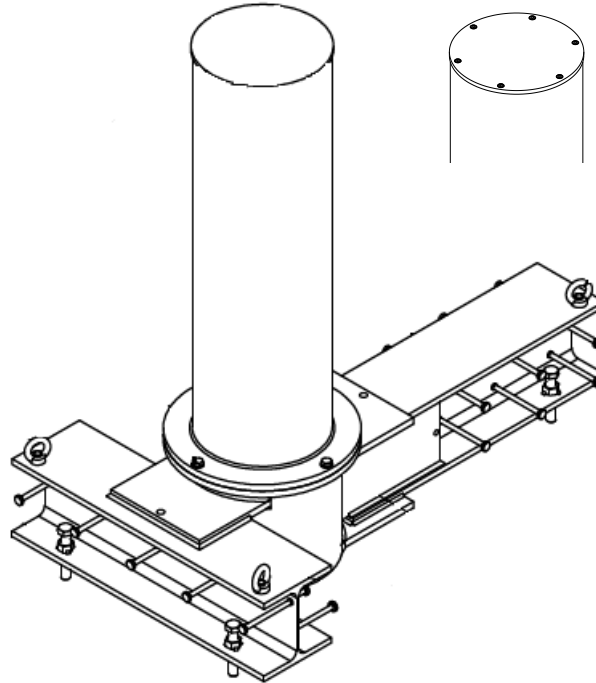

Technical Data Sheet



Design:	Removable blocking bollard(s) with base supports for shallow mount installation. Bollard system can be adapted on site for corner applications.
Impact Load:	1699 kJ (6.8 t @ 50 mph) (no crash test certification, based on design of crash rated M50 shallow mounted fixed bollard)
Blocking Element:	Diameter: 355 mm with welded on steel top plate, optional: screwed on steel top plate, in galvanised finish or coated in colour of blocking element
Wall Thickness:	30 mm
Blocking Height:	1100 mm
Foundation Size:	4500 x 2500 x 400 mm (triple unit)
Foundation Top Edge:	100 mm below finished floor level
Weight:	710 kg
Options:	Bollard top lighting, Ufo-shape, red, white or yellow Stainless steel sleeve with screwed on or welded stainless steel top plate
Colour (Standard):	RAL 6005 moss green, RAL 7016 anthracite grey, RAL 7030 stone grey, RAL 7035 light grey or RAL 9010 pure white
Colour (Optional):	Other RAL colours or DB colours