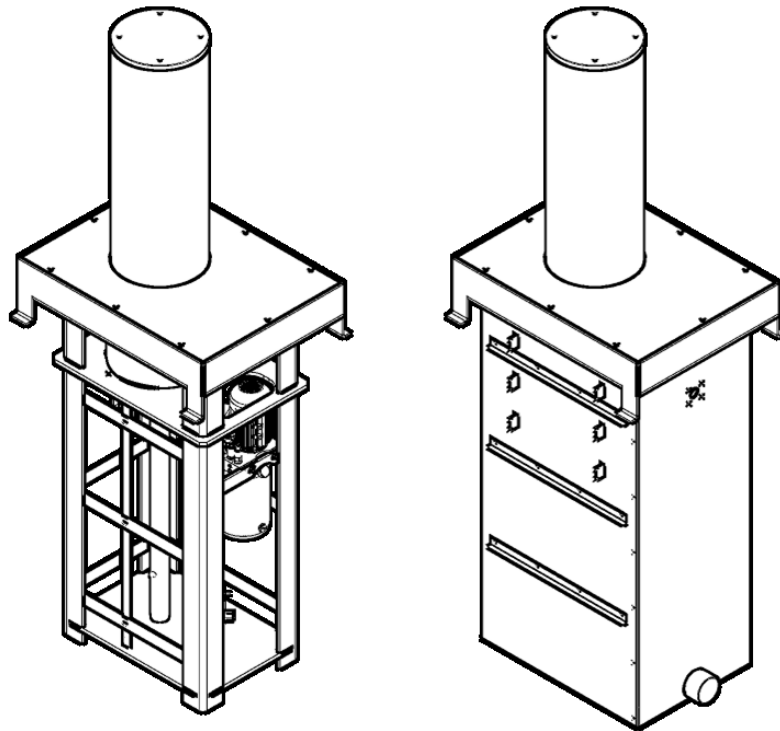

Technical Data Sheet



- Design:** High security bollard in compact style with integrated hydraulic aggregate and separate control unit for up to five bollard units.
- Impact Load:** 667 kJ (7.5 t @ 48 km/h)
Crash test certified according to PAS 68:2013 V/7500[N2]/48/90:0.0/0.0 and IWA 14-1:2013 V/7200[N2A]/48/90:0.4
- Blocking Element:** Diameter: 355 mm, 16 mm wall thickness with screwed on top plate
- Blocking Height:** 1000 mm above finished floor level
- Emergency Operation:** Bollard remains in the raised position during power failure and can be lowered manually
Accumulator and rechargeable battery pack for one raising movement (RO1) with charged accumulator (optional)
- Operating Times:** Raising: approx. 5-6 seconds - Lowering: approx. 3-4 seconds
Emergency fast operation (EFO): approx. 2-3 seconds raising (with optional accumulator)
- Wheel Load:** 100 kN according to SLW60 – DIN 1072
- Drive:** 1.4 kW nominal power, 400 Volt AC, three phase, 50 Hz
- Hydraulic Fluid:** Mineral oil HLP 22 or biodegradable oil Plantohyd 22 S, non-hazardous to water
- Control Unit:** PLC in control box for wall installation inside a building, control voltage 24 V max. distance between bollard and control unit: 50 m
- Supply voltage:** 400 V (3Ph + N + PE), 50 Hz
- Lighting (Optional):** Bollard top lighting, Ufo-shape, LED red, white or yellow

Technical Data Sheet

Tamper resistance: (Optional)	Reed contact for cover plate	
Control Box:	Control unit configuration Standard/Plus: HxWxD = 400x400x200 mm, IP 66 (for single bollard unit) HxWxD = 600x400x200 mm, IP 66 (for double and triple bollard unit) HxWxD = 600x600x200 mm, IP 66 (for quadruple and penta bollard unit) Control unit configuration Vario: HxWxD = 600x400x200 mm, IP 66 (for single and double bollard unit) HxWxD = 600x600x200 mm, IP 66 (for triple up to penta bollard unit) Control unit configuration Vario RO1: HxWxD = 800x400x300 mm, IP 66 (for single and double bollard unit) HxWxD = 800x600x200 mm, IP 66 (for triple up to penta bollard unit)	
Control Cabinet: (Optional)	Control box installed in outdoor control cabinet complete with rain cover, hygostat, thermostat, heater and outdoor coating HxWxD = 1000x800x400 mm + 200 mm socket (for control unit configuration Vario) HxWxD = 1200x1200x400 mm + 200 mm socket (for control unit configuration Vario RO1)	
Weight:	Approx. 870 kg incl. metal housing	
Colour (Standard):	Blocking element Bollard top plate Cover plate Metal housing Metal housing frame Installation frame	RAL 6005, 7016, 7030, 7035 or 9010 galvanised finish galvanised finish galvanised finish galvanised finish galvanised finish
Colour (Optional):	Blocking element Bollard top plate Cover plate	other RAL colour in RAL colour of blocking element in RAL colour of blocking element
Optional Finish:	Blocking element with stainless steel sleeve and stainless steel top plate	
Temperature Range:	-20°C – 65°C Optional: Heating for up to -30°C	