














## AMF THERMATEX® BAFFLE



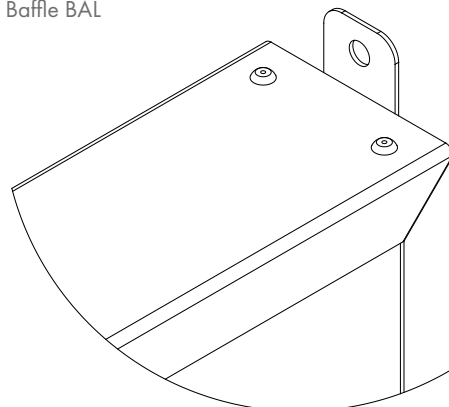
- AMF THERMATEX® Baffle Classic features an aluminium frame and white laminate surface for a modern linear appearance. THERMATEX® Baffles are also available in a variety of colours or customised graphic prints on request
- Good sound absorption (0.60 - 0.65(H)  $\alpha_w$ ): reduce noise levels, increase intelligibility and reduce reverberation time in a space
- Typically used to provide high levels of acoustic absorption in offices, leisure centres, transport hubs, etc



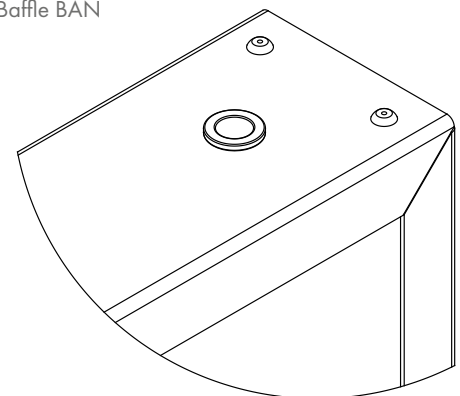
# AMF THERMATEX® BAFFLE

<b>Thickness (mm)</b>		50																					
<b>Dimensions (mm)</b>		1200 x 300 1200 x 400 1200 x 600 1800 x 400																					
<b>System</b>		BAN - with top screw thread BAL - with tab connector																					
<b>Weight</b>		1200 x 300: 3.2 kg/pc 1200 x 400: 4.1 kg/pc 1200 x 600: 5.9 kg/pc 1800 x 400: 6.0 kg/pc																					
<b>Colour &amp; design</b>		<b>Frame:</b> anodised aluminium, white, RAL colours <b>Baffle Classic:</b> laminate, white <b>Baffle Colour:</b> laminate, black, silver, blue, green, yellow, cream, red, orange and grey <b>Baffle Exclusive:</b> laminate with graphic print																					
<b>Sound absorption</b>		EN ISO 354 $\alpha_w = \mathbf{0.60(MH)}$ (300mm), $\mathbf{0.65(MH)}$ (600mm) as per EN ISO 11654 - <b>Class C</b> <table border="1"> <thead> <tr> <th>Frequency <math>f</math> (Hz)</th> <th>125</th> <th>250</th> <th>500</th> <th>1000</th> <th>2000</th> <th>4000</th> </tr> </thead> <tbody> <tr> <td>Baffles 1200 x 300mm <math>\alpha_p</math> Row distances 300mm</td> <td>0.35</td> <td>0.40</td> <td>0.55</td> <td>0.90</td> <td>0.90</td> <td>0.90</td> </tr> <tr> <td>Baffles 1200 x 600mm <math>\alpha_p</math> Row distances 600mm</td> <td>0.35</td> <td>0.35</td> <td>0.75</td> <td>1.00</td> <td>1.00</td> <td>1.00</td> </tr> </tbody> </table> NRC = <b>0.65</b> as per ASTM C 423	Frequency $f$ (Hz)	125	250	500	1000	2000	4000	Baffles 1200 x 300mm $\alpha_p$ Row distances 300mm	0.35	0.40	0.55	0.90	0.90	0.90	Baffles 1200 x 600mm $\alpha_p$ Row distances 600mm	0.35	0.35	0.75	1.00	1.00	1.00
Frequency $f$ (Hz)	125	250	500	1000	2000	4000																	
Baffles 1200 x 300mm $\alpha_p$ Row distances 300mm	0.35	0.40	0.55	0.90	0.90	0.90																	
Baffles 1200 x 600mm $\alpha_p$ Row distances 600mm	0.35	0.35	0.75	1.00	1.00	1.00																	
<b>Fire reaction</b>		Euroclass <b>A2-s1,d0</b> as per EN 13501-1																					
<b>Humidity resistance</b>		<b>95%</b>																					
<b>Cleanability</b>	 																						
<b>Sustainability</b>																							

Baffle BAL



Baffle BAN



Products may vary from country to country. Please contact your local sales representative.  
For further information and legal notice, please visit our website.