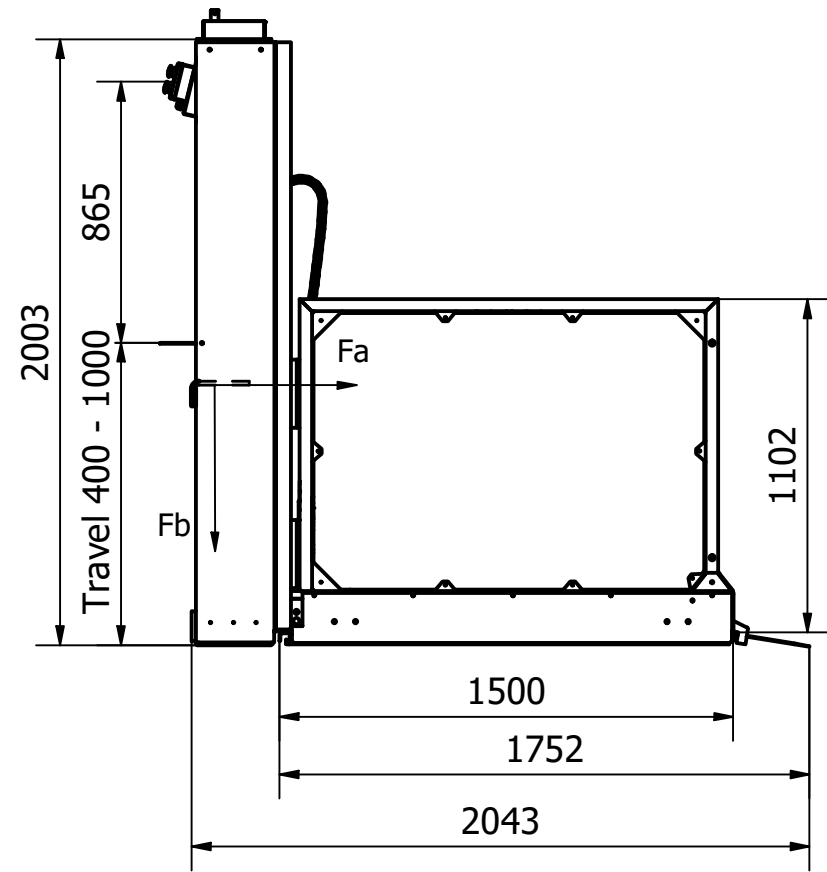


(1 : 25)



CLEARANCES

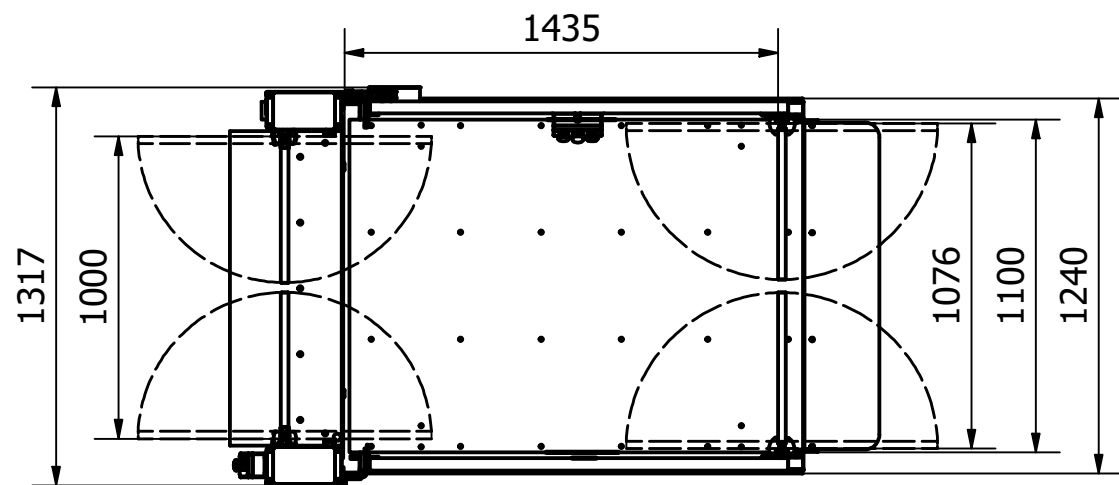
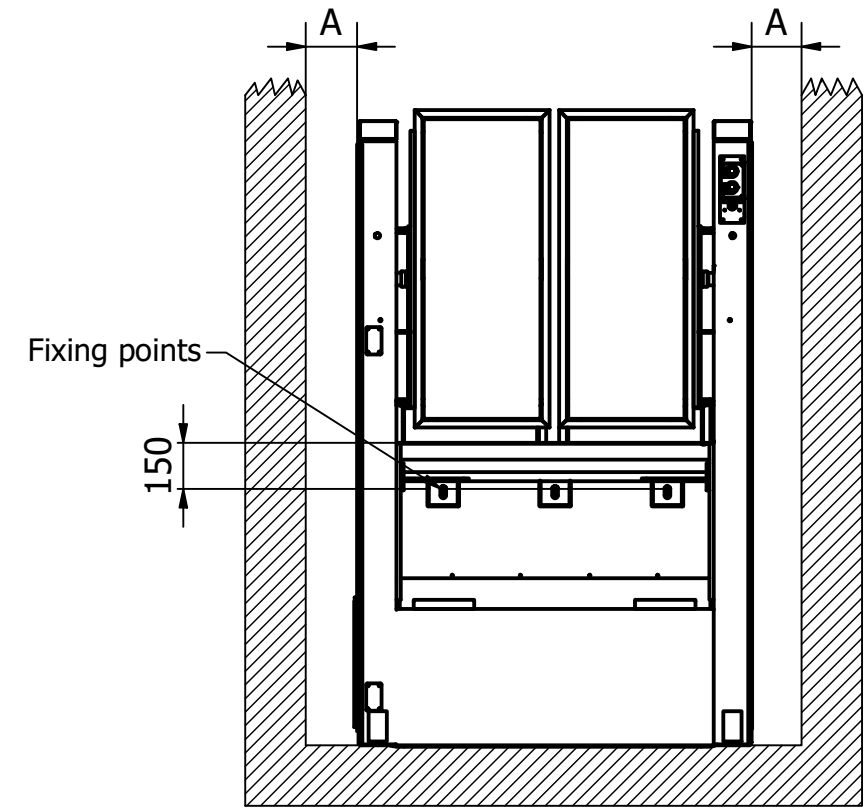
"A"
Horizontal distance between the platform and the wall 145mm if smooth, 355mm if irregular

Anchors
Horizontal & Vertical 3 pcs minimum, see installation information for further details of substrate requirements and type (Only use the fixation angles on the upper level)

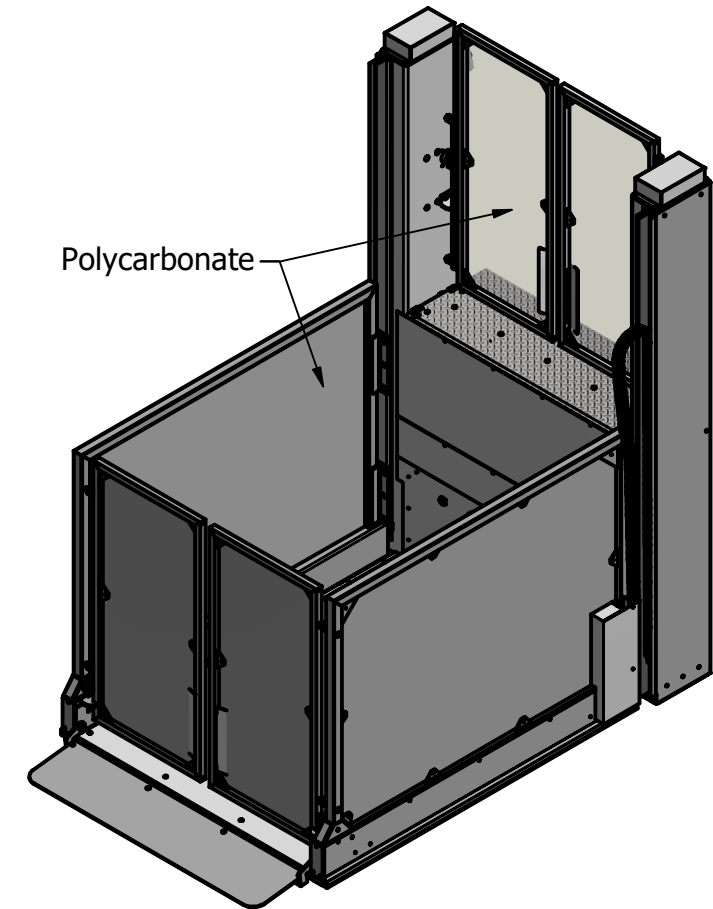
Platform floor finish
Standard - Aluminium chequer plate

Electrical supply (Main switch)
1ph L, N, PE, 3 x 2,5mm² 16A

Technical Data
Rated capacity: 400kg / 2 person
Speed: 0,08m / s
Drive: 3,0kW Electrical motor / Belt drive
Electrical Connection: Single phase, 3 x 2,5mm²
Control voltage: 24 Volts
Soft start / Stop by frequency inverter
Drive system: Screw / Nut



HORIZONTAL FORCES	
Fixing height mm	Total Anchor Force Fa, kN
400	25,8
600	17,2
800	12,9
1000	10,3



Designed by Eva	Checked by	Approved by	Date	Date 2021-08-03	LH=1000
MPR LIFTS AB			MID 1000 Superior		
			Edition 1	Sheet 1 / 1	