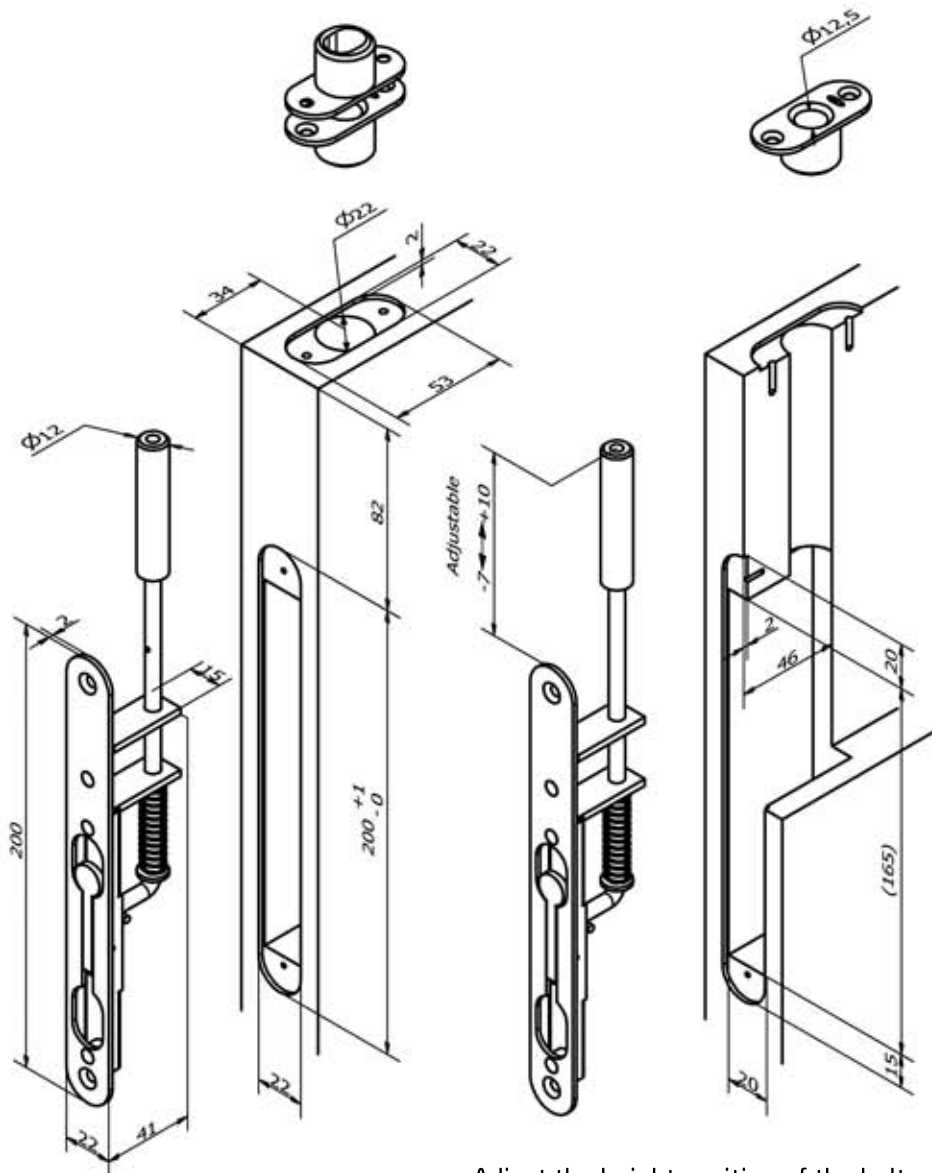


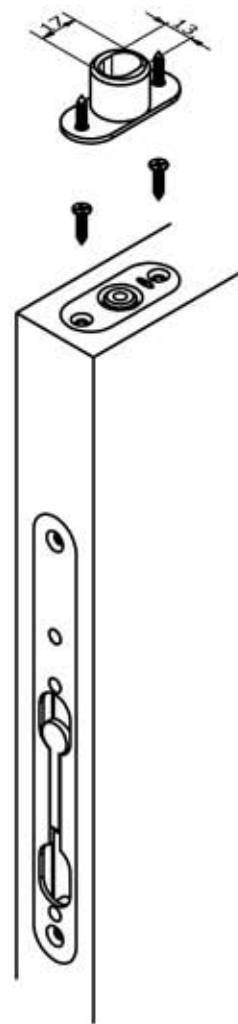
OLDA 33 HZM-R32 - manual flush bolt

mounting guide: internal fitting



contents:
flush bolt
guide tube
lock tube
screws

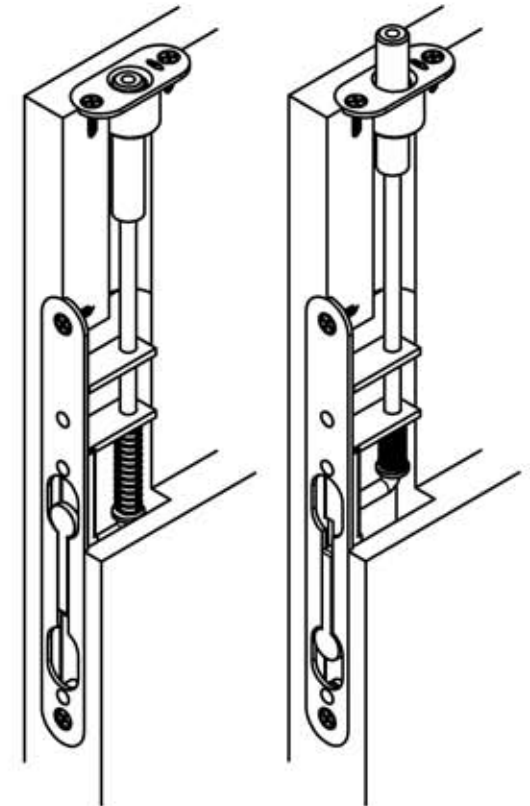
Adjust the height position of the bolt if necessary:
* release internal set screw
* adjust height by turning bolt
* lock set screw



Check function of flush bolt, including accessories, in the door !

Service instruction:

- * test function 1-2 times per year**
- * lubricate
- * and if necessary/possible adjust movable parts



** High frequency doors or demanding environments may require more frequent service.

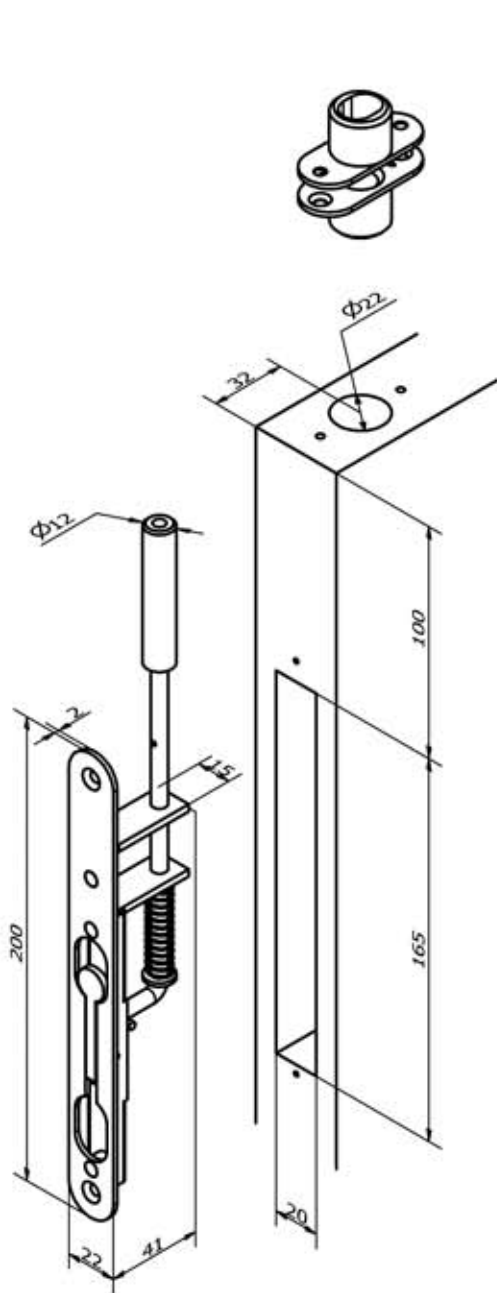
OLDA 33 HZM-R32 - manual flush bolt

mounting guide: external fitting

Check function of flush bolt, including accessories, in the door !

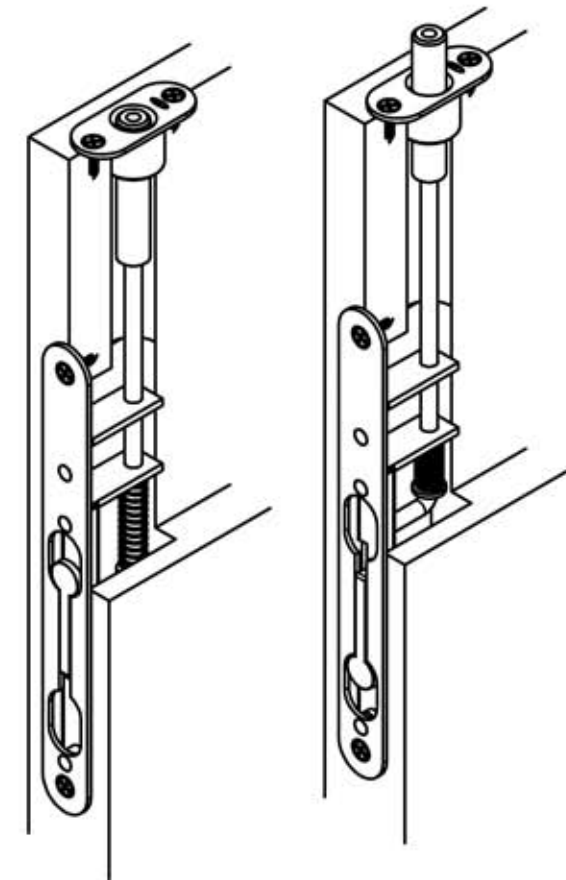
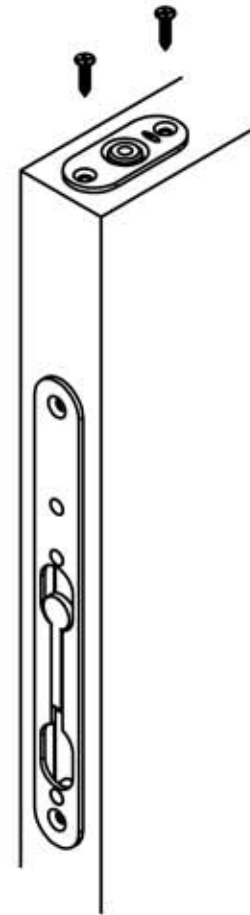
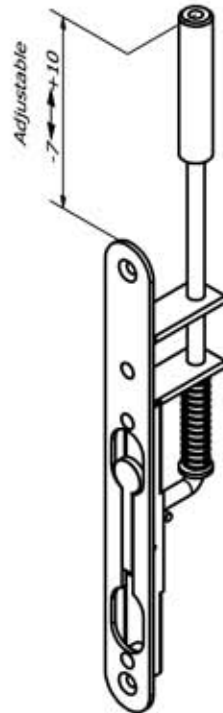
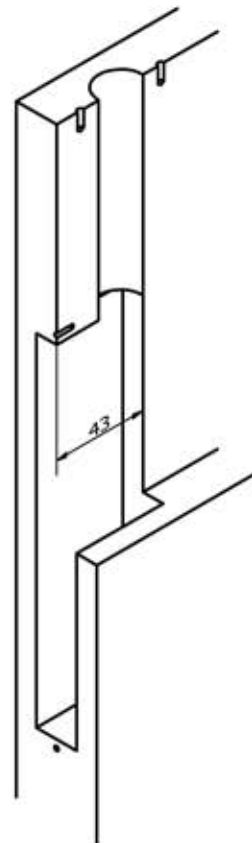
Service instruction:

- * test function 1-2 times per year**
- * lubricate
- * and if necessary/possible adjust movable parts



Adjust the height position of the bolt if necessary:

- * release internal set screw
- * adjust height by turning bolt
- * lock set screw



contents:
flush bolt
guide tube
lock tube
screws

** High frequency doors or demanding environments may require more frequent service.

MA33HZMR32(2)	C	2019-11-18
---------------	---	------------