

# OLDA 43 HZ-20T - automatic flush bolt

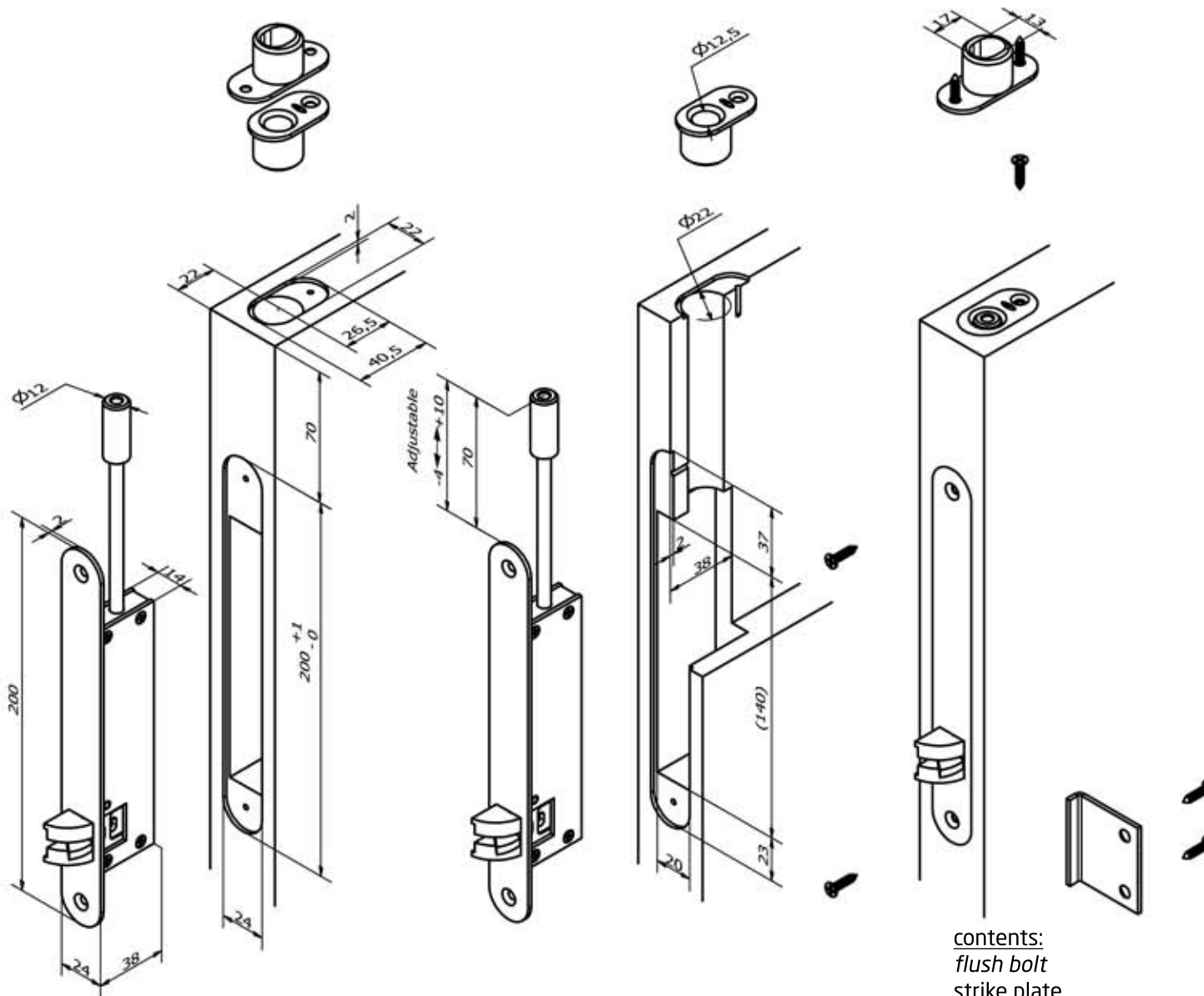
# mounting guide: internal fitting

Check function of flush bolt, including accessories, in the door !

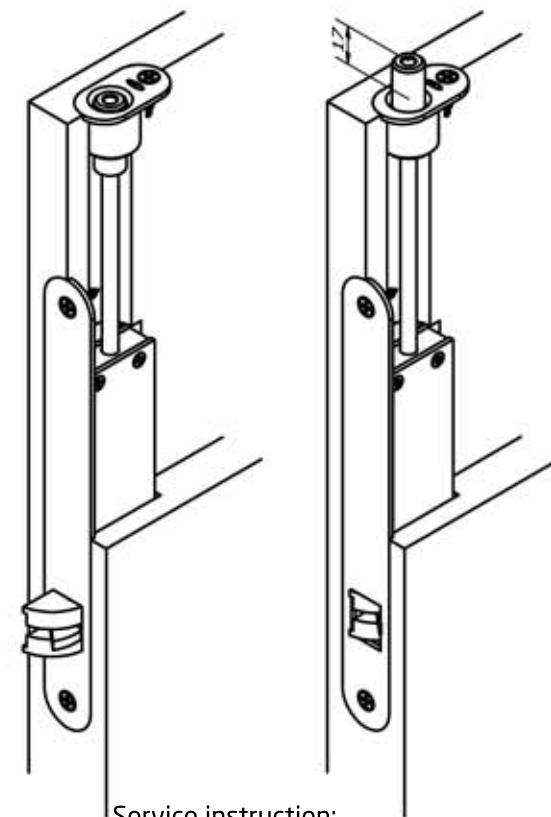
Adjust the height position of the bolt if necessary:

- \* release internal set screw
- \* adjust height by turning bolt
- \* lock set screw

picture show flush bolt type 1



contents:  
flush bolt  
strike plate  
guide tube  
lock tube  
screws



Service instruction:

- \* test function 1-2 times per year\*\*
- \* lubricate
- \* and if necessary/possible adjust movable parts

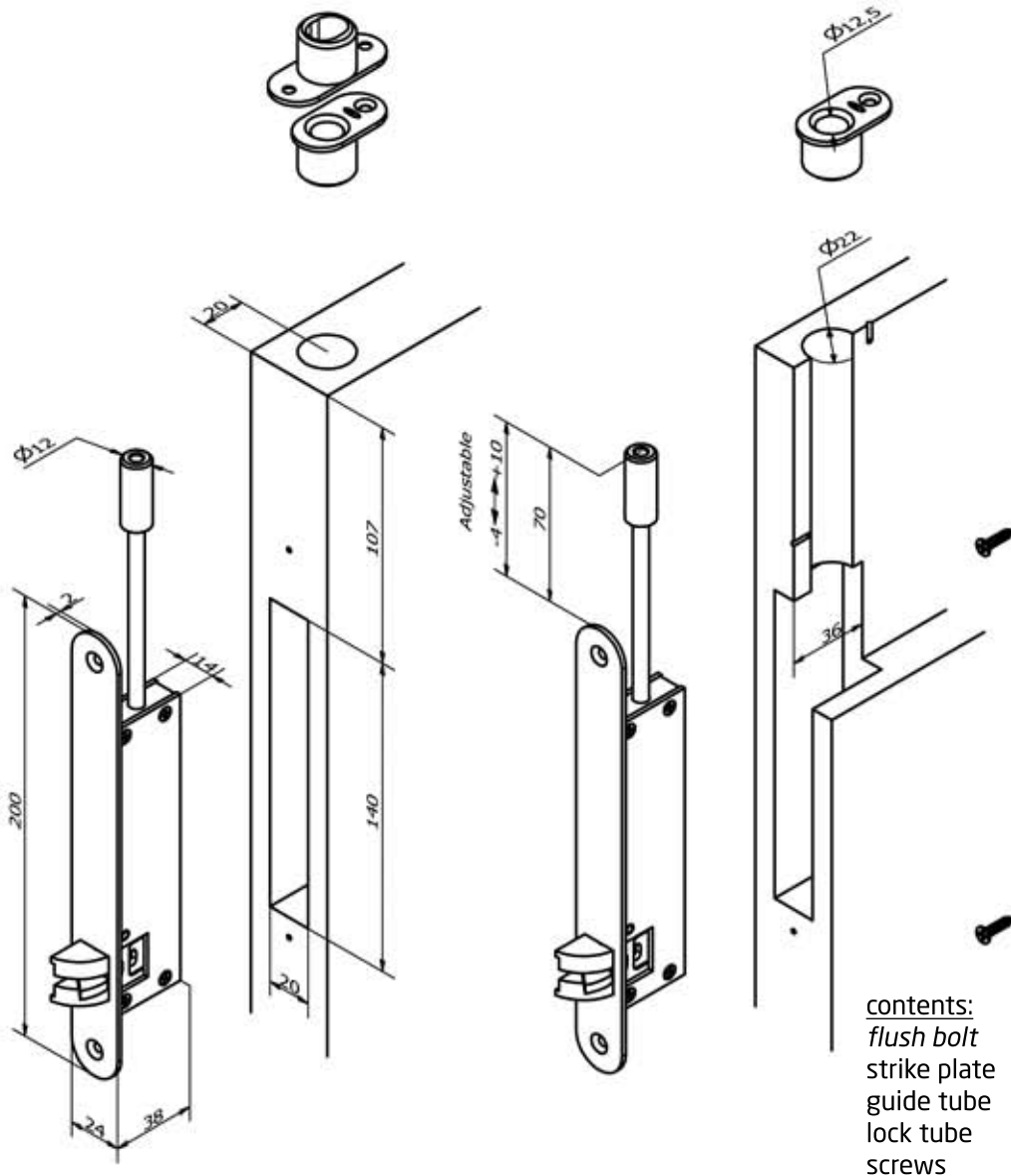
MA43HZ20T(1)	A	2019-04-23
--------------	---	------------

\*\* High frequency doors or demanding environments may require more frequent service.

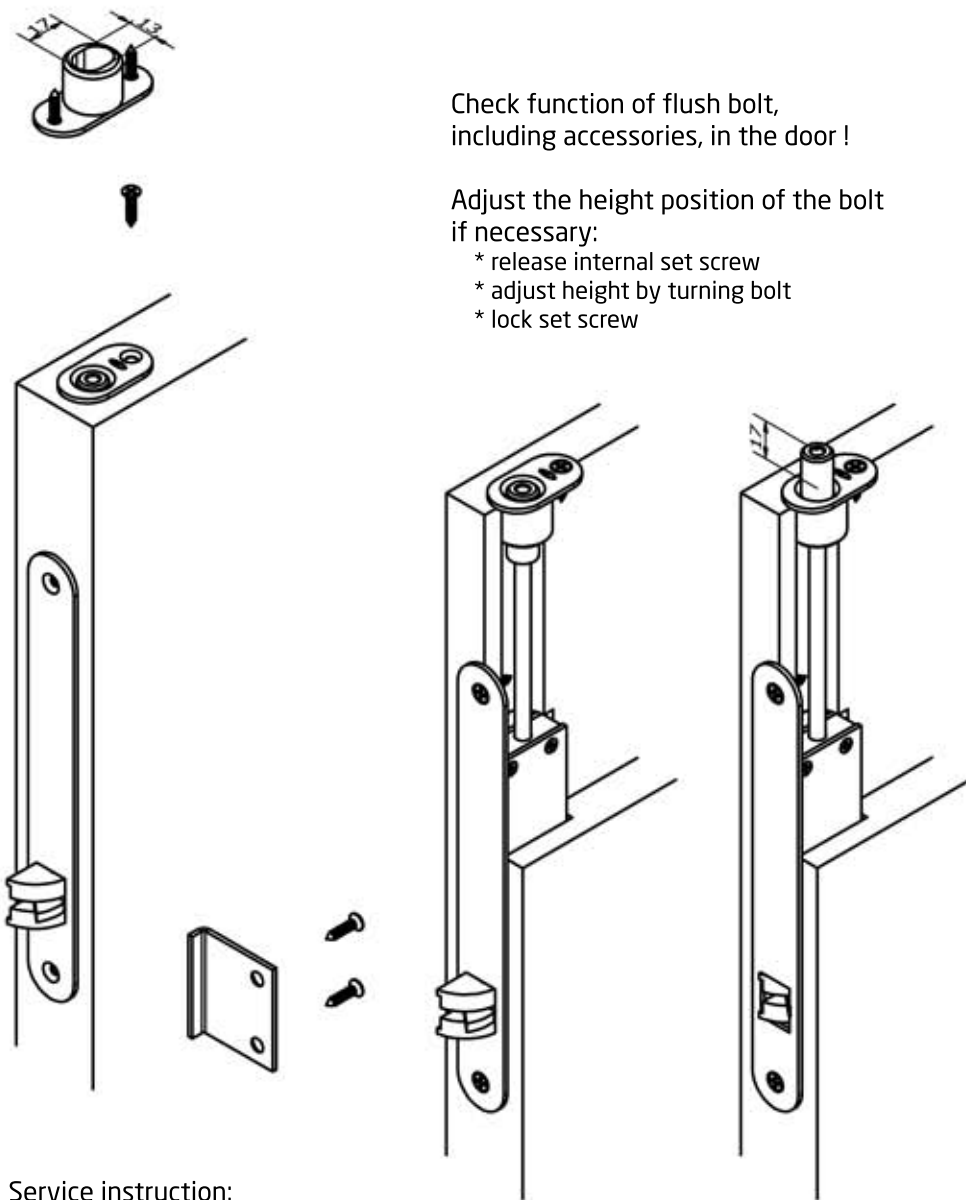
# OLDA 43 HZ-20T - automatic flush bolt

## mounting guide: external fitting

picture show flush bolt type 1



contents:  
 flush bolt  
 strike plate  
 guide tube  
 lock tube  
 screws



Check function of flush bolt, including accessories, in the door !

Adjust the height position of the bolt if necessary:

- \* release internal set screw
- \* adjust height by turning bolt
- \* lock set screw

Service instruction:

- \* test function 1-2 times per year\*\*
- \* lubricate
- \* and if necessary/possible adjust movable parts

*\* High frequency doors or demanding environments may require more frequent service.*